

Owner's Manual
And
Assembly Instructions



OUTLOOK II

Model I-OWCII-05



Adventure Playsets

Amarillo Texas 79119

Thank you for purchasing an Adventure Playsets Playcenter.

We hope it will bring you and your children many years of safe and enjoyable backyard fun.

Table of Contents

Letter to Customer	1
Positioning Your Playcenter	2
Tools Required for Assembly	2
Helpful Installation Hints	3
Suggested Playground Surfacing	4
Operating Instructions	5
Maintenance Instructions	6
Disposal Instructions	6
CPSC Information Sheet	7
Assembly Instructions	8
Frequently Asked Questions	31
Customer Notes	32
Limited Warranty	33
Warranty Claim Procedure	34
Customer Registration Card	35

Your owner's manual should be read carefully before starting assembly.

Dear Customer:

Thank you for purchasing an Adventure Playsets Playcenter. We hope it will bring you and your children many years of safe and enjoyable backyard fun. Adventure Playsets equipment is recommended for use by **children 3 to 10 years of age**. Adventure Playsets structures are **not intended for public use**. Adventure Playsets **does not warranty** any of its residential structures subjected to commercial use.

Please follow all recommendations below. **Failure to do so may result in the warranty being void and/or safety violations that could result in serious injury.** The following information has been provided to help you in your installation, continued satisfaction, and safe operation of your Adventure Playsets purchase. Always keep the safety of your children in mind as your play structure is being built and as your children play on the set. **Children must not use the Playcenter until completely assembled and properly installed and anchored to prevent serious injury.** Before your children play on the set please review the Operation Instructions with them to help ensure their safety.

PLEASE RETAIN THESE INSTRUCTIONS FOR FUTURE REFERENCE. KEEP THEM IN A SAFE PLACE WHERE YOU CAN REFER TO THEM AS NEEDED.

General Information:

<u>Manufacturer</u> Adventure Playsets	<u>Vendor:</u> _____
14201 Interstate 27	_____
Amarillo, TX 79119	_____
Ph. #: 1-800-856-4445	_____
Fax: 806-622-1515	_____
E-mail -custservice@adventureplaysets.com	

Unit Type:

Unit Name: OUTLOOK II Revision Date: 12-13-04
Unit Model Number: I-OWCII
Instruction Manual Information


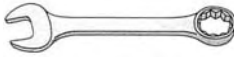








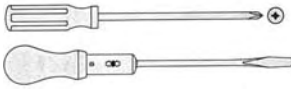

Maximum Fall Height: 8'-4"

The instructions and owner's manual for your new Playcenter should be read in its entirety before assembly, to minimize problems and safety issues. We recommend reading the owner's manual thoroughly after you have identified all of the parts for your Playcenter as discussed in the Helpful Installations Hints section below.

Positioning Your Play center

1. The Playcenter is designed to be installed on a level surface **by an Adult with an Adult helper**. Try to place in a flat area of your yard to minimize ground preparation.
2. Place the equipment not less than 6 ft from any structure or obstruction such as a fence, garage, house, overhanging branches, laundry lines, or electrical wires.
3. It is a good idea to place your Playcenter in an area that is convenient for adults to watch children at play.
4. The area that you choose should be policed for glass, rocks or anything jagged or sharp that could endanger your children's safety. The surface underneath your play system can cause or prevent injuries. We have additional suggestions in the Suggested Playground Surfacing Section.
5. Do not build your playset on top of surfacing material.

Tools Required for Installation:

		
(Level 24")	(Open end Wrenches 1/2" & 7/16")	(Nut drivers 1/2" & 9/16")
		
(Tape Measure)	(3/8" Drive Ratchet, 1/2" & 9/16" std sockets 1/2" & 9/16 deep sockets)	(Claw Hammer)
		
(3/8" Cordless Drill or Electric drill)	(1/8", 5/16" & 3/8" drill bits)	(Drill attachments: Phillips head screw 3/8" Socket Driver Torque head screw)
		
(An Adult w/an Adult helper)	(Phillips & Straight Blade screw drivers)	(Rubber Mallet –Optional)

Helpful Installation Hints

1. Depending on your experience, assembly of this Play set should take approximately 6 to 12 hours after inventory of parts. Therefore, we recommend you set aside a full day for assembly.
2. Identify all of the parts for your Playcenter. Empty each box and lay out boards so you can see each part. Your instruction book will have detailed drawings that will make it easy for you to recognize individual parts. Keep all hardware and metal parts separate from wooden pieces.
3. After everything is laid out, check carefully to ensure all parts are present. Make sure there are no broken boards.
4. Find an area to sort your hardware. It is best to open the hardware on a solid surface so that you do not lose any pieces in the grass. This will save time and familiarize you with all the different pieces in the hardware bag.
5. Important note: Wood has some natural defects such as knots, surface cracks, etc... We reject parts that are structurally defective. We use a high quality lumber in our structures; however, you should inspect each part for splinters or rough spots and sand them smooth to prevent injury.
6. After steps 1 thru 4 have been completed, read all the way through the instructions completely. Reading instructions after you have studied the parts will help you understand more clearly the installation process, and help to eliminate unnecessary mistakes.
7. Pay close attention to the diameter and length of each bolt and screw. There will be different sizes in the same bag, so they must be sorted correctly.
8. Swing hangers should be buried past the threads, so that the loop is against the swing beam. Adventure Playsets is not responsible for incorrect installations of swing hangers. Failure to properly install swing hangers may cause severe injury.
9. Never tighten hardware completely at first. It helps to have some adjustment for bolt alignment while you are attaching parts together. After everything is square, tighten each joint.
10. After the main unit is assembled it is critical that the floor is level and square. If the main frame is not level, the walls and floor will be out of square.
11. After you complete installation, make sure every bolt, screw, and nut is tight, and every board is secure. Wood will expand and contract with the seasons. Check all bolt connections and swing hangers every two weeks.
12. Place the set on level ground, not less than 6ft from any structure or obstruction such as a fence, garage, house, overhanging branches, laundry lines, or electrical wires.

READ! VERY IMPORTANT!

If you are missing parts or have questions regarding the installation of our quality product PLEASE call us directly at the factory (1-800-856-4445). Our trained staff will be happy to assist you.

Customer service hours:
Monday thru Friday 9am to 5pm
Saturday 9am to 2pm
Central Standard Time.

E-mail: custservice@adventureplaysets.com

ATTENTION: UK CUSTOMERS

We thank you for purchasing our excellent quality play equipment. We are sure that you will be satisfied with your selection. However, should you experience any problems or require any advice, do not return the item to the store, please contact our European Customer Service Number below. To ensure a prompt and efficient handling of your query please have your assembly instructions ready when you call.



Tel: 08700 170580 or email us at info@plumproducts.com

Suggested Playground Surfacing

- ❑ Playground equipment should never be placed on hard surfaces such as concrete or asphalt.
- ❑ Shredded bark mulch, wood chips, fine sand and fine gravel, are added as shock absorbing materials after assembly. If used properly these materials can absorb some of the impact of a child's fall.
- ❑ All surface material should extend a minimum of 6 feet in all directions around the play area.

The following chart explains the fall height in feet from which a life threatening head injury would not be expected

Critical Heights in feet (m) of Tested Materials

Material	Uncompressed Depth			Compressed Depth to 9" (228mm)
	6" (152mm)	9" (228mm)	12" (304mm)	
Wood Chips	7' (2.13m)	10' (3.05m)	11' (3.35m)	10' (3.05m)
Double-Shredded bark mulch	6' (1.83m)	10' (3.05m)	11' (3.35m)	7' (2.13m)
Engineered Wood Fibers	6' (1.83m)	7' (2.13m)	> 12' (3.66m)	6' (1.83m)
Fine Sand	5' (1.52m)	5' (1.52m)	9' (2.74m)	5' (1.52m)
Coarse Sand	5' (1.52m)	5' (1.52m)	6' (1.83m)	4' (1.22m)
Fine Gravel	5' (1.52m)	7' (2.13m)	10' (3.05m)	6' (1.83m)
Medium Gravel	5' (1.52m)	5' (1.52m)	6' (1.83m)	5' (1.52m)
Shredded Tires*	10-12' (3.0-3.6m)	N/A	N/A	N/A

*This data is from tests conducted by independent testing laboratories on a 6-inch depth of uncompressed shredded tire samples produced by four manufacturers. The tests reported critical heights, which varied from 10 feet to greater than 12 feet. It is recommended that persons seeking to install shredded tires as a protective surface request test data from the supplier showing the critical height of the material when it was tested in accordance with ASTM F1292.

Operating Instructions:

NOTE: Your children's safety is our #1 concern. Observing the following statements and warnings reduces the likelihood of serious or fatal injury. Please review these safety rules regularly with your children.

1. This Playcenter is designed for the use of 3 occupants who have a combined weight not exceeding 280 pounds.
2. On-site adult supervision is **required**.
3. Instruct children **not** to walk close to, in front of, behind, or between moving swings or other moving playground equipment.
4. Instruct children to sit in and **never** stand on swings
5. Instruct children **not** to twist the chains and ropes and not to loop them over the top support bar, since this may reduce the strength of the chain or rope.
6. Instruct children **not** to jump from swings or other playground equipment in motion.
7. Instruct children to **not push** empty seats. The seat may hit them and cause serious injury.
8. Instruct and teach children to sit in the center of the swings with their full weight on the seats.
9. Instruct children **not** to use the equipment in a manner other than intended.
10. Instruct children to **always** go down slides feet first. Never slide headfirst.
11. Instruct children to **look** before they slide to make sure no one is at the bottom.
12. Instruct children to **never** run up a slide, as this increases their chances of falling.
13. The parents should have the children **dress appropriately** with well-fitting shoes. Loose clothing such as scarves and ponchos should not be worn. Always take off, tie up or tuck in cords and drawstrings on children's clothing. These things can get caught on playground equipment and strangle a child.
14. Instruct children **not** to climb when the equipment is wet.
15. Instruct children to **never** jump from a fort deck. They should always use the ladder, ramp or slide.
16. Instruct children to **never** crawl or walk across the top of monkey bars.
17. Instruct children to **never** crawl on top of a fort roof.
18. Verify that any suspended climbing ropes, chain, or cable are secured at both ends and that they cannot be looped back on it.
19. Instruct children **not** to attach items to the playground equipment that are not specifically designed for use with the equipment, such as, but not limited to, jump ropes, clothesline, pet leashes, cables and chain as they may cause a strangulation hazard.
20. Instruct children to **never** use Monkey Bar when swings or glider are in use.
21. Instruct children to **never** wrap their legs around swing chain.

Maintenance Instructions:

1. Check all nuts and bolts twice monthly during the usage season and tighten as required. (But not so tight that you crack the wood) We recommend you check the swing beam and hardware every two weeks due to wood expansion and contraction. It is particularly important that this procedure be followed at the beginning of each season.
2. Remove plastic swing seats and take indoors or do not use when the temperature drops below 32 °F.
3. Oil all metallic moving parts monthly during the usage period.
4. Check all coverings for bolts and sharp edges twice monthly during usage season to be certain they are in place. Replace when necessary. It is especially important to do this at the beginning of each new season.
5. Check swing seats, ropes, cables and chains monthly during usage season for evidence of deterioration. Replacement should be made of any swing seat that has developed cracks in the plastic seats or has exposed metal in the edges of the swing seat. If there are already exposed metal inserts on the edge of the seat, immediately remove the seats and chains to prevent serious injury. Ropes, cables and chains should be removed and replaced if excessive wear is found. Contact Adventure Playsets for replacement parts.
6. For rusted areas on metallic members such as monkey bars, hand supports, brackets, etc., sand and repaint, using a non lead-based paint meeting the requirements of Title 16 CRF Part 1303.
7. Inspect wood parts monthly. The grain of the wood sometimes will lift in the dry season causing splinters to appear. Light sanding may be necessary to maintain a safe playing environment. If you are treating your Playcenter with stain regularly, it will help prevent severe checking/splitting and other weather damage.
8. We recommend treating the wood components once or twice a year depending on the type of weather you have and when sanding has been required to maintain a good surface. We treat our wood with a waterborne transparent stain.
9. Creating and maintaining the Playcenter on a level location is very important. As your children play, your Playcenter will slowly dig its way into the soil, and it is very important that it settles evenly. Make sure the play set is level and true once each year or at the beginning of each play season.

Disposal Instructions:

When the Playcenter use is no longer desired, it should be disassembled and disposed of in such a way that no unreasonable hazards will exist at the time the unit is discarded.

NOMINAL MATERIAL SIZES			
NAMED SIZE		TRUE SIZE	
Imperial (")	Metric (mm)	Imperial (")	Metric (mm)
1x6	2.5x15.3	3/4x5 1/2	1.9x14
5/4x4	3.2x10.2	1x3 1/2	2.5x9
5/4x6	3.2x15.3	1x5 1/2	2.5x14
2x2	5x5	1 1/2x1 1/2	3.8x3.8
2x3	5x7.6	1 1/2x2 1/2	3.8x6.4
2x4	5x10	1 1/2x3 1/2	3.8x9
2x6	5x15.3	1 1/2x5 1/2	3.8x14
4x4	10x10	3 1/2x3 1/2	9x9
Estimated Sizing Due to Molding of Wood			

APPENDIX A

Information on Playground Surfacing Materials:

The following information is from the *United States Consumer Product Safety Commission's Information Sheet for playground surfacing material*. Also see the following website for additional information: www.cpsc.gov/cpscpub/pubs/323.html.

X3. CONSUMER INFORMATION SHEET FOR PLAYGROUND SURFACING MATERIALS¹¹

X3.1 The U.S. Consumer Product Safety Commission (CPSC) estimates that about 100,000 playground equipment-related injuries resulting from falls to the ground surface are treated annually in U.S. hospital emergency rooms. Injuries involving this hazard pattern tend to be among the most serious of all playground injuries, and have the potential to be fatal, particularly when the injury is to the head. The surface under and around playground equipment can be a major factor in determining the injury-causing potential of a fall. It is self evident that a fall onto a shock-absorbing surface is less likely to cause a serious injury than a fall onto a hard surface. Playground equipment should never be placed on hard surfaces such as concrete or asphalt and while grass may appear to be acceptable it may quickly turn to hard packed earth in areas of high traffic. Shredded bark mulch, wood chips, fine sand or fine gravel are considered to be acceptable shock absorbing surfaces when installed and maintained at a sufficient depth under and around playground equipment.

X3.2 Table X3.1 lists the maximum height from which a child would not be expected to sustain a life-threatening head injury in a fall onto four different loose-fill surfacing materials if they are installed and maintained at depths of 6, 9, and 12 in. However, it should be recognized that all injuries due to falls cannot be prevented no matter what surfacing material is used.

X3.3 It is recommended that a shock absorbing material should extend a minimum of 6 ft in all directions from the perimeter of stationary equipment such as climbers and slides. However, because children may deliberately jump from a moving swing, the shock absorbing material should extend in the front and rear of a swing a minimum distance of 2 times the height of the pivot point measured from a point directly beneath the pivot on the supporting structure.

X3.4 This information is intended to assist in comparing the relative shock-absorbing properties of various materials. No particular material is recommended over another. However, each material is only effective when properly maintained. Materials should be checked periodically and replenished to maintain correct depth as determined necessary for your equipment. The choice of a material depends on the type and height of the playground equipment, the availability of the material in your area, and its cost.

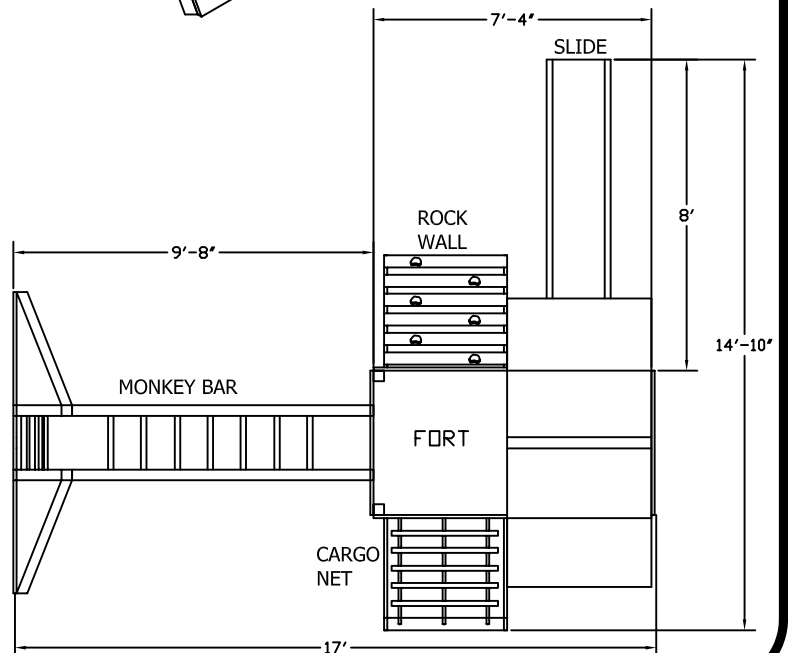
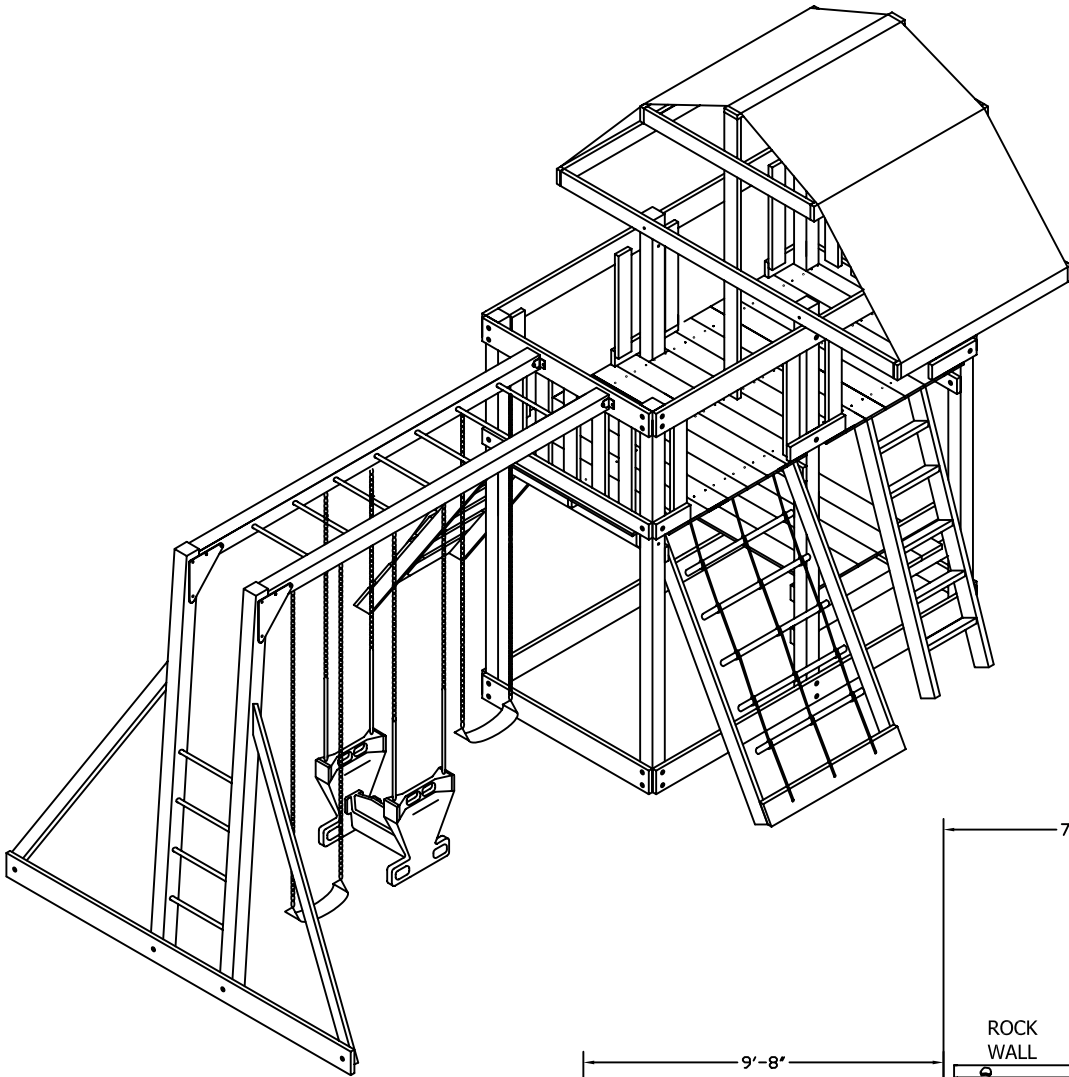
¹¹This information has been extracted from the CPSC publications "Playground Surfacing — Technical Information Guide" and "Handbook for Public Playground Safety." Copies of these reports can be obtained by sending a postcard to: Office of Public Affairs, U.S. Consumer Product Safety Commission, Washington, D.C., 20207 or call the toll-free hotline: 1-800-638-2772.

The American Society for Testing and Materials takes no position respecting the validity of any patent right asserted in connection with any item mentioned in this standard. Users of this standard are expressly advised that determination of the validity of any such patent rights, and the risk of infringement of such rights, are entirely their own responsibility.

The standard is subject to revision at any time by the responsible technical committee and must be reviewed every five years and if not revised, either approved or withdrawn. Your comments are invited either for revision of this standard or for additional standards and should be addressed to ASTM Headquarters. Your comments will receive careful consideration at a meeting of the responsible technical committee, which you may attend. If you feel that your comments have not received a fair hearing you should make your views known to the ASTM Committee on Standards. 100 Barr Harbor Drive, West Conshohocken, PA 19428.

OUTLOOK II

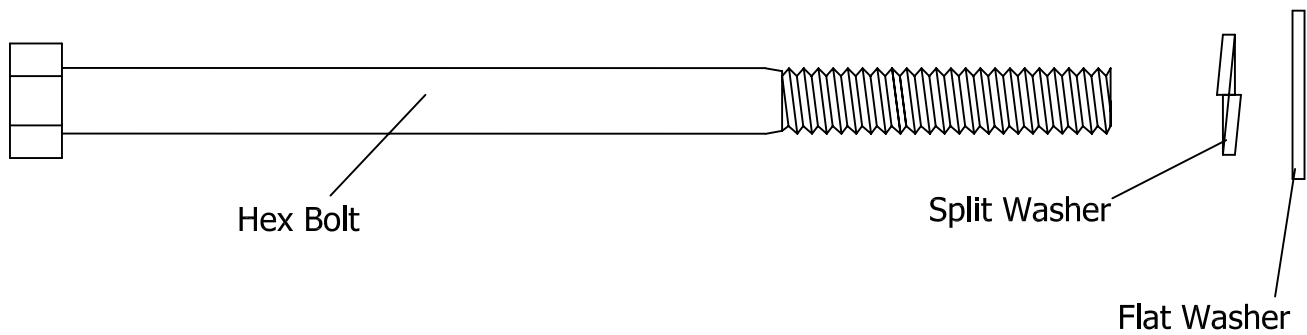
OUTLOOK II WOODEN PLAYCENTER Assembly Instructions



SPLIT WASHER INSTRUCTIONS

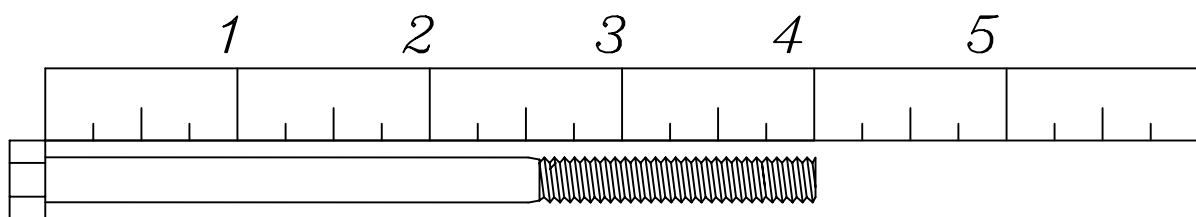
THROUGHOUT THESE INSTRUCTIONS, WHEN USING A T-NUT; A SPLIT WASHER MUST BE INSTALLED BETWEEN THE HEAD OF THE HEX BOLTS & THE FLAT WASHER. THESE WASHERS HELP REDUCE HEX BOLTS FROM LOOSENING FROM THE T-NUT.

IF USING A 1/4" HEX BOLT, A 1/4" WASHER MUST BE USED AND IF USING A 5/16" HEX BOLT, A 5/16" WASHER MUST BE USED.



HOW TO MEASURE A BOLT

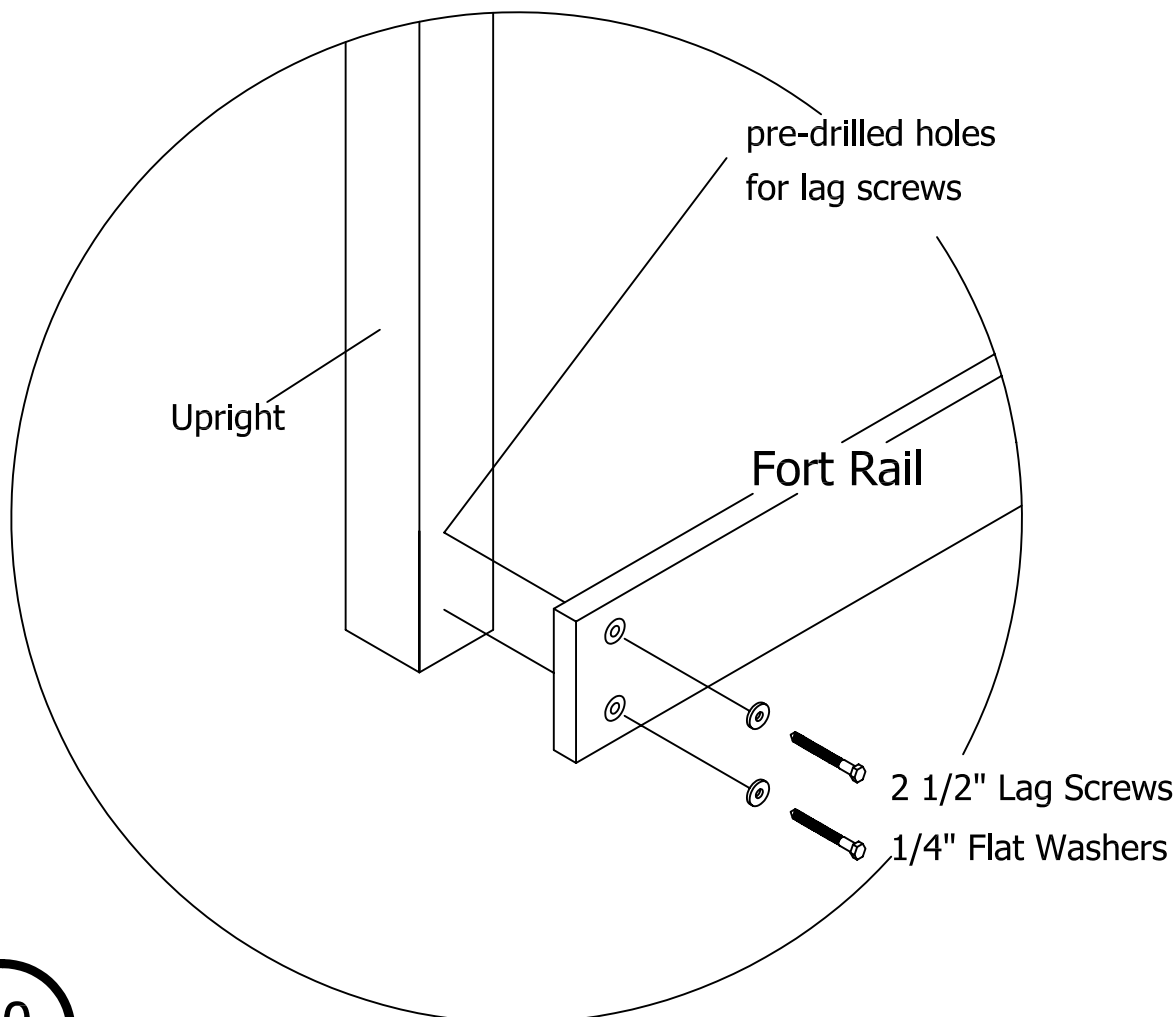
NOTE: DO NOT INCLUDE BOLT HEAD WHEN MEASURING LENGTH OF BOLT.



2 1/2" LAG SCREW NOTE

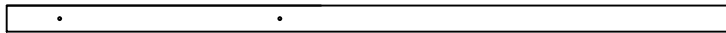
BEFORE ATTACHING ANY 2 1/2" LAG SCREWS, SOME HOLES MUST BE PRE-DRILLED. USE A 1/8" BIT & DRILL INTO UPRIGHTS APPROX. 1 1/2" DEEP. THIS WILL HELP LAG SCREWS FROM BREAKING.

- A. MAKE SURE YOUR PLAY SET IS SITTING ON LEVEL GROUND. THIS WILL HELP YOU KEEP FORT RAILS & WALL RAILS FLUSH WITH OUTSIDE OF UPRIGHTS BEFORE PRE-DRILLING YOUR HOLES FOR 2 1/2" LAG SCREWS.
- B. THE HOLES ON THE WALL RAILS & FORT RAILS WILL BE YOUR GUIDES FOR YOUR HOLE LOCATION. YOU CAN MARK YOUR HOLES OR JUST DRILL YOUR HOLES WHILE HOLDING THE WALL RAIL OR FORT RAIL.

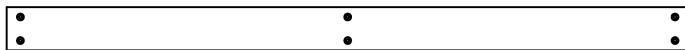


PARTS IDENTIFICATION

A 4- 4x4x92" FORT UPRIGHTS (4LP1004)



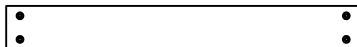
C 4- 5/4x6x86 3/4" FORT RAILS (4L1056)



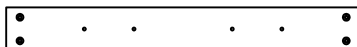
D 2- 1x4x47 1/4" FLOOR BOARDS (4L1053)



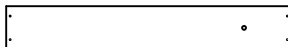
E 3- 5/4x6x45" FORT RAILS (4L1058)



F 1- 5/4x6x45" MONKEY BAR CROSS BRACE (4L1059)



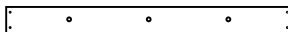
G 8- 5/4x6x36 1/4" ROCKWALL BOARDS (4L1060)



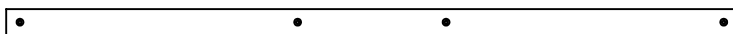
H 6- 2x2x15 3/4" WOODEN STAKES (4L300)



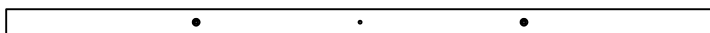
I 1- 5/4x4x36 1/4" CARGO NET BOARD (4L1071)



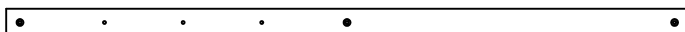
J 1- 5/4x4x93" MONKEY BAR GROUND BEAM (4L1062)



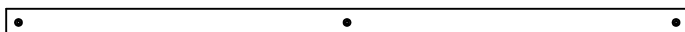
K 2- 5/4x4x90" CROSS BRACE (4L1063)



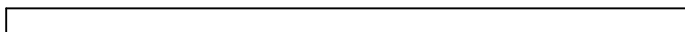
L 1- 5/4x4x86 3/4" FLOOR JOSIT/CARGO NET RAIL (4L444)



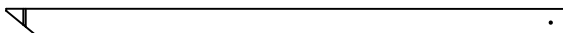
M 1- 5/4x4x86 3/4" FLOOR JOSIT (4L445)



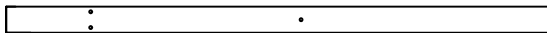
N 1- 5/4x4x86 3/4" FLOOR JOSIT (NO HOLES)- (4L443)



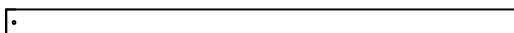
O 2- 5/4x4x71" END BEAM BRACES (4L1075)



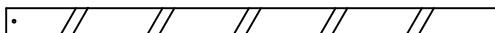
P 2- 5/4x4x69" TARP UPRIGHTS (4L1064)



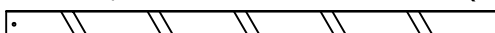
Q 4- 5/4x4x65" ROCK WALL/CARGO NET BRACE (4L1065)



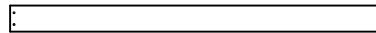
R 1- 5/4x4x62" RIGHT LADDER RAIL (4L1066)



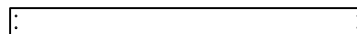
S 1- 5/4x4x62" LEFT LADDER RAIL (4L1067)



T 4- 5/4x4x47" TARP END CAPS (4L424)



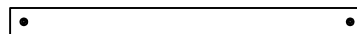
U 1- 5/4x4x45" TARP SUPPORT (4L421)



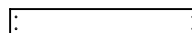
V 2- 5/4x4x45" TARP SHORT CROSS BRACE (4L1068)



W 9- 5/4x4x45" FORT RAIL (4L422)



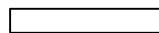
X 17- 5/4x4x24" WALL SLATS (4L1052)



Y 2- 5/4x4x15" WALL RAILS (4L1055)



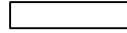
Z 1- 5/4x4x21" TABLE TOP BRACE (4L1069)



AA 4- 5/4x4x9 1/8" WALL RAILS (4L1054)



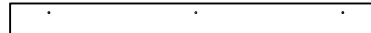
AB 5- 5/4x4x16" LADDER RUNGS (4L1072)



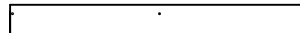
AC 1- 5/4x4x10" PICNIC BENCH BRACE (4L1070)



AD 18- 1x6x47 1/4" FLOOR BOARDS (4L1073)

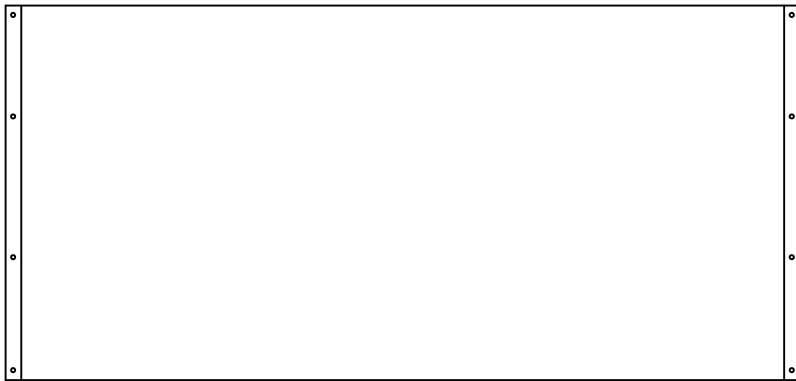


AG 3- 1x6x38 1/2" CENTER/END FLOOR BOARDS (4L1074)

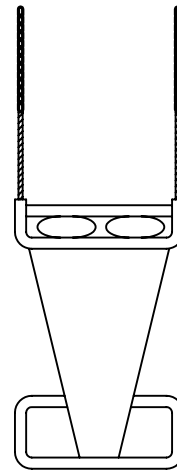


PARTS IDENTIFICATION

TARP - 6F001



2-GLIDER ARMS W/
ROPE & CHAIN - 2A110-A



8- LAG SCREW SWING HANGERS - 6H001



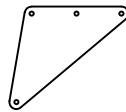
4- S-HOOKS - 6H002



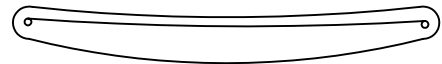
11-L-BRACKETS - 4M032



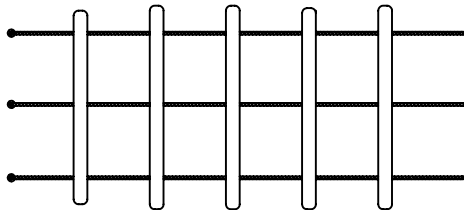
4-TRIANGLE END
LADDER BRACES - 6M001



1-GLIDER SEAT - 6P023



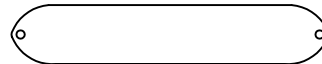
5 RUNG
CARGO NET - 6HCN001



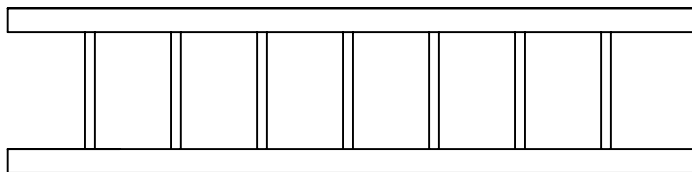
4-58" COATED CHAIN - 4M1004



2-SWING SEATS - 6P001



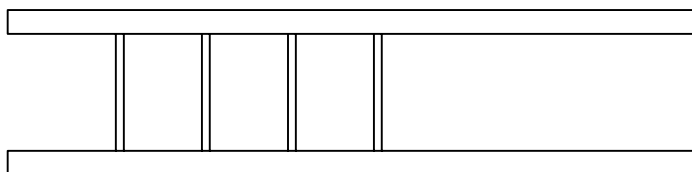
MONKEY BAR
TOP LADDER - 2A1004



6- HAND GRIPS - 6P002



END LADDER - 2A1005-05

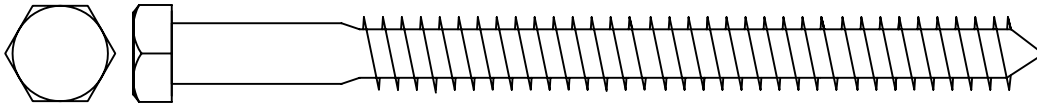


OTHER ACCESSORIES:

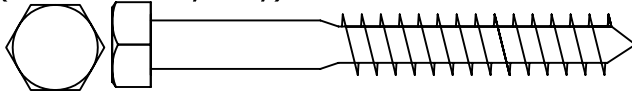
- INSTRUCTIONS
- HARDWARE BAG
- 8 CLIMBING ROCKS
- 10' ZOOM SLIDE
- ADVENTURE PLAYSETS STICKER

HARDWARE IDENTIFICATION

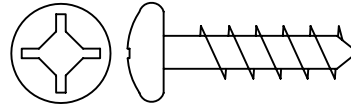
2- 5/16" x 4 1/2" LAG SCREWS



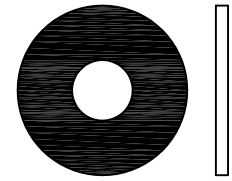
64- 1/4" x 2 1/2" LAG SCREWS
(head size may vary)



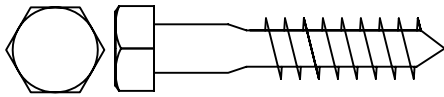
16- 1" TAPPING SCREWS



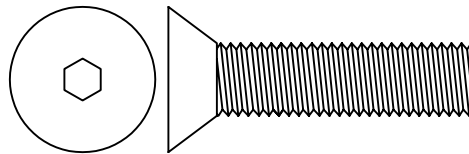
28- 5/16" FLAT WASHERS



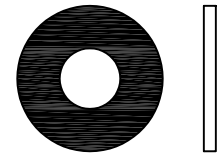
12- 1/4" x 1 1/2" LAG SCREWS



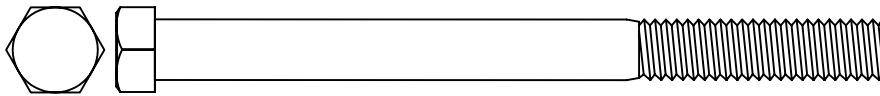
8- FLAT HEAD BOLTS



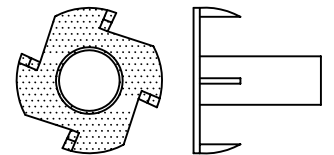
121- 1/4" FLAT WASHERS



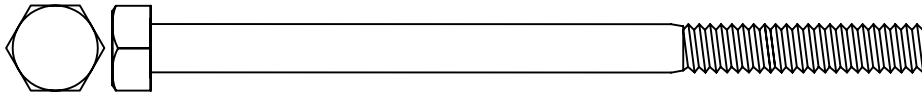
10- 5/16" x 3 3/4" HEX BOLTS



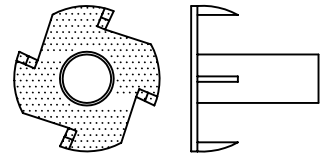
6- 5/16" T-NUTS



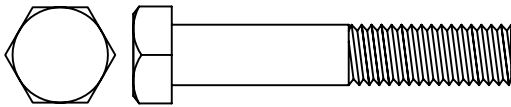
12- 1/4" x 4" HEX BOLTS



27- 1/4" T-NUTS



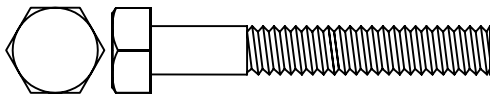
2- 5/16" x 1 3/4" HEX BOLTS



6- 5/16" SPLIT WASHERS



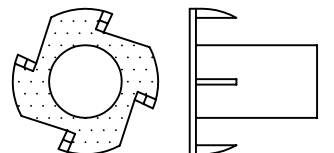
6- 1/4" x 1 3/4" HEX BOLTS



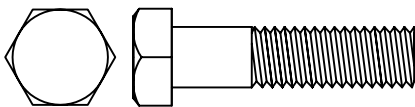
39- 1/4" SPLIT WASHERS



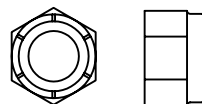
8- ROCKWALL T-NUTS



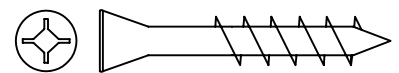
4- 5/16" x 1 1/4" HEX BOLTS



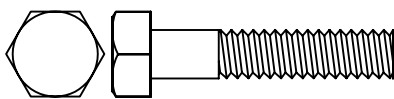
10- 5/16" LOCK NUTS



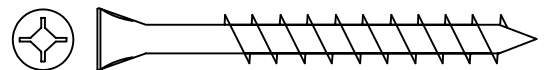
224- 1 1/2" DECK SCREWS



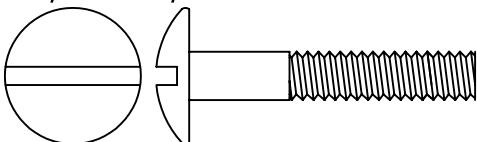
9- 1/4" x 1 1/4" HEX BOLTS



88- 2 1/4" DECK SCREWS



3- 1/4" x 1 1/4" MACHINE TRUSS SCREWS



3- 1/4" LOCK NUTS



PHASE 1

STEP 1: GATHER ITEMS A(6), C(2), L(1), M(1), E(2) & HARDWARE BAG.

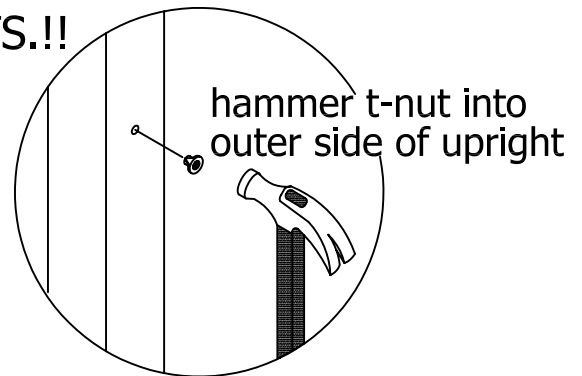
NOTE: OPEN HARDWARE BAG ON A FLAT SURFACE OR IN A BOX TO AVOID MISPLACEMENT.

STEP 2: ATTACH FLOOR JOIST 'L' & 'M' TO UPRIGHTS 'A' W/ 4" HEX BOLTS, T-NUTS AS SHOWN. HAMMER T-NUTS INTO THE OUTER SIDE OF UPRIGHTS. FLOOR JOIST 'L' HAS PRE-DRILLED HOLES FOR CARGO NET & MUST BE ATTACHED WHERE SHOWN.

STEP 3: ATTACH FORT RAILS 'C' & 'E' W/ LAG SCREWS & FLAT WASHERS AS SHOWN. KEEP FORT RAILS EVEN W/ OUTSIDE OF UPRIGHTS.

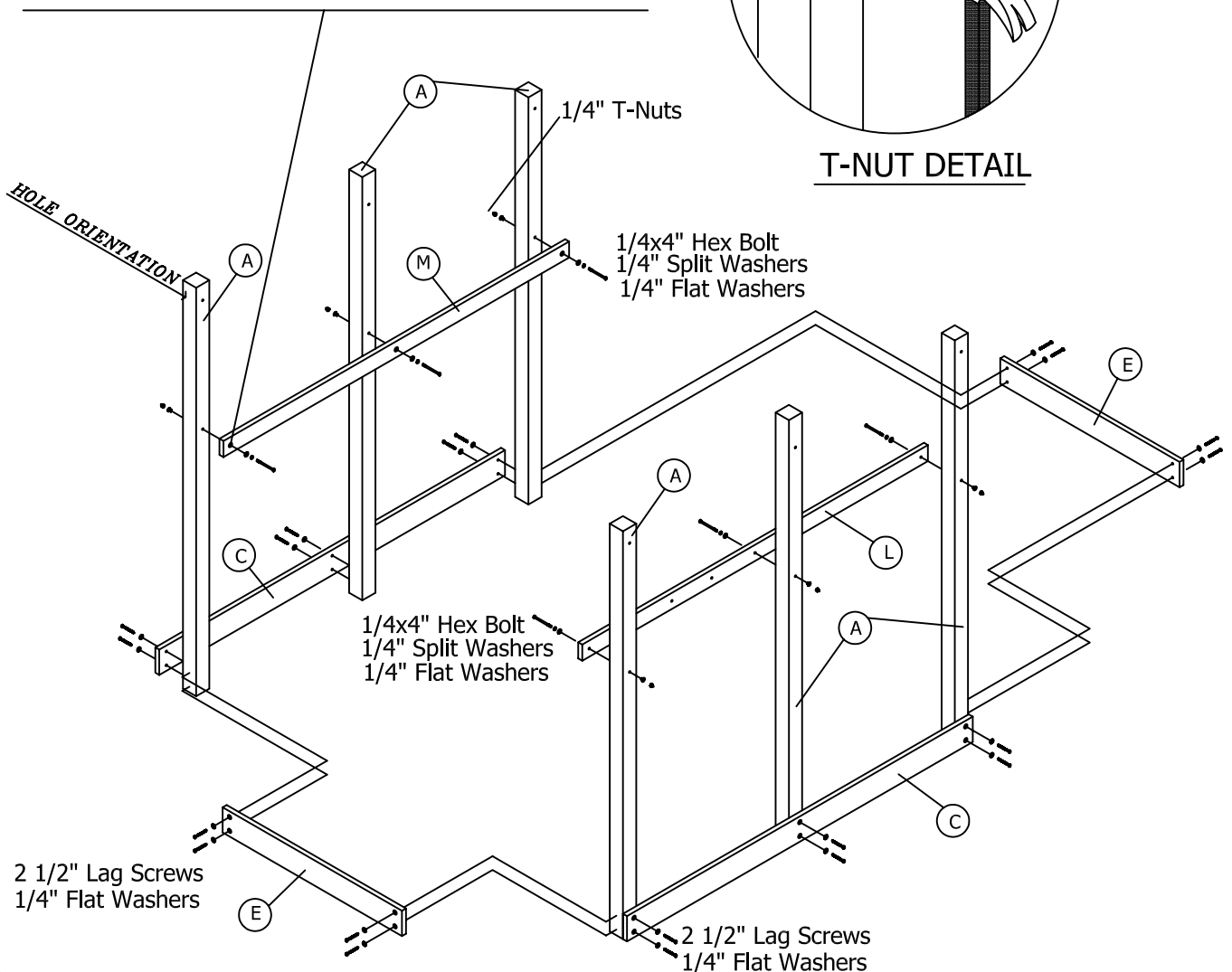
!!NOTE: DO NOT OVER-TIGHTEN HEX BOLTS!!

BOLT SHOULD NOT PROTRUDE MORE THAN 2 THREADS PAST T-NUT FACE



T-NUT DETAIL

NOTE: COUNTERSUNK HOLES MUST BE TO INSIDE OF FORT.



PHASE 2

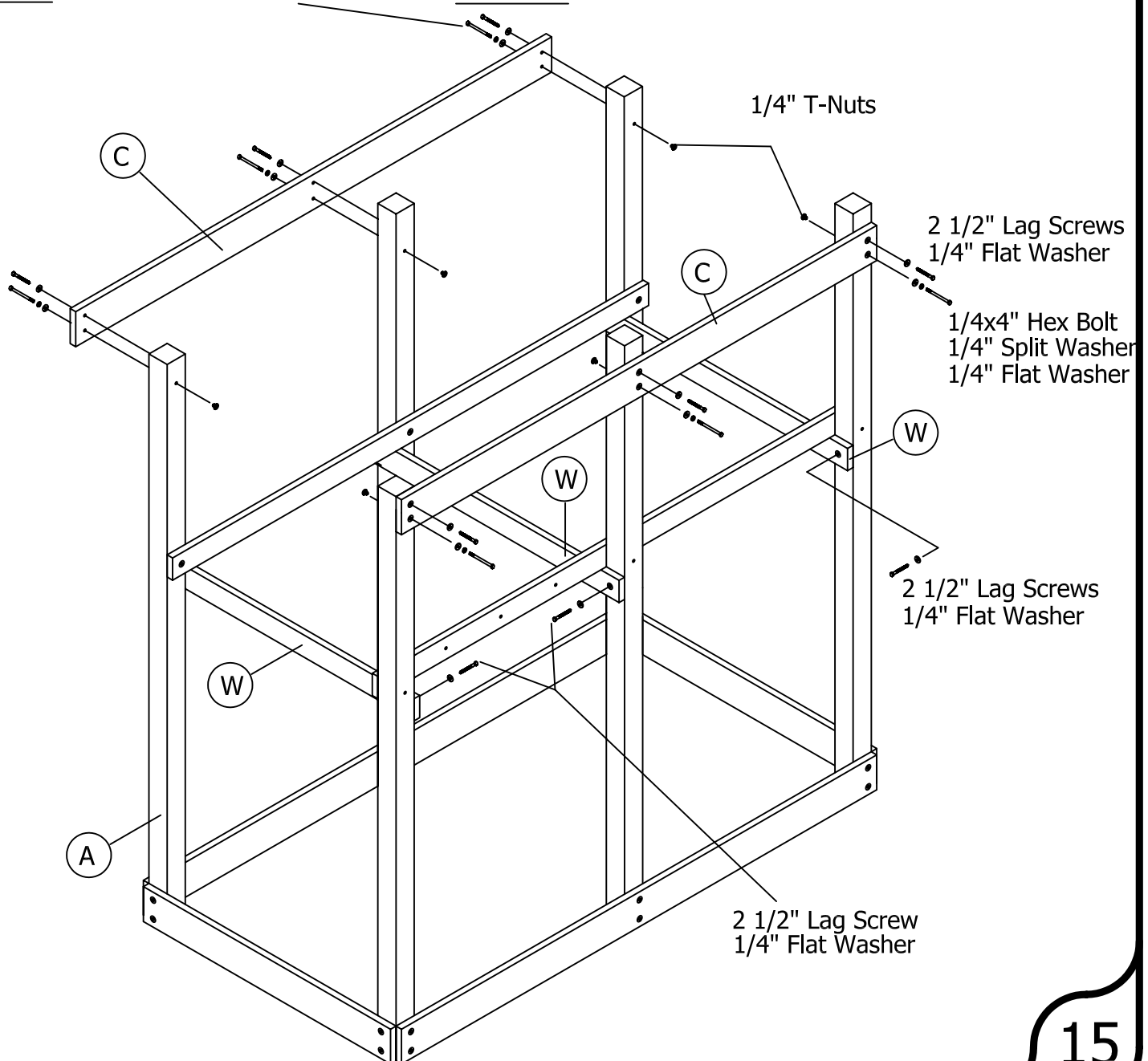
STEP 1: GATHER ITEMS C(2), W(3) & HARDWARE BAG.

STEP 2: ATTACH FORT RAILS 'W' TO INSIDE OF UPRIGHTS W/ 2 1/2" LAG SCREWS AS SHOWN. KEEP COUNTERSUNK HOLES ON FORT RAILS 'W' FACING EACH OTHER.

STEP 3: ATTACH FORT RAILS 'C' TO UPRIGHTS W/ 4" HEX BOLTS, T-NUTS THROUGH BOTTOM HOLE & 2 1/2" LAG SCREW THROUGH TOP HOLE AS SHOWN.

NOTE: KEEP FRAME LEVEL TO HELP W/ FURTHER INSTALLATION.

NOTE: HEX BOLT MUST BE USED IN BOTTOM HOLE OF FORT RAIL.



PHASE 3

STEP 1: GATHER ITEMS AD(12), AG(3), N(1), D(2) & HARDWARE BAG.

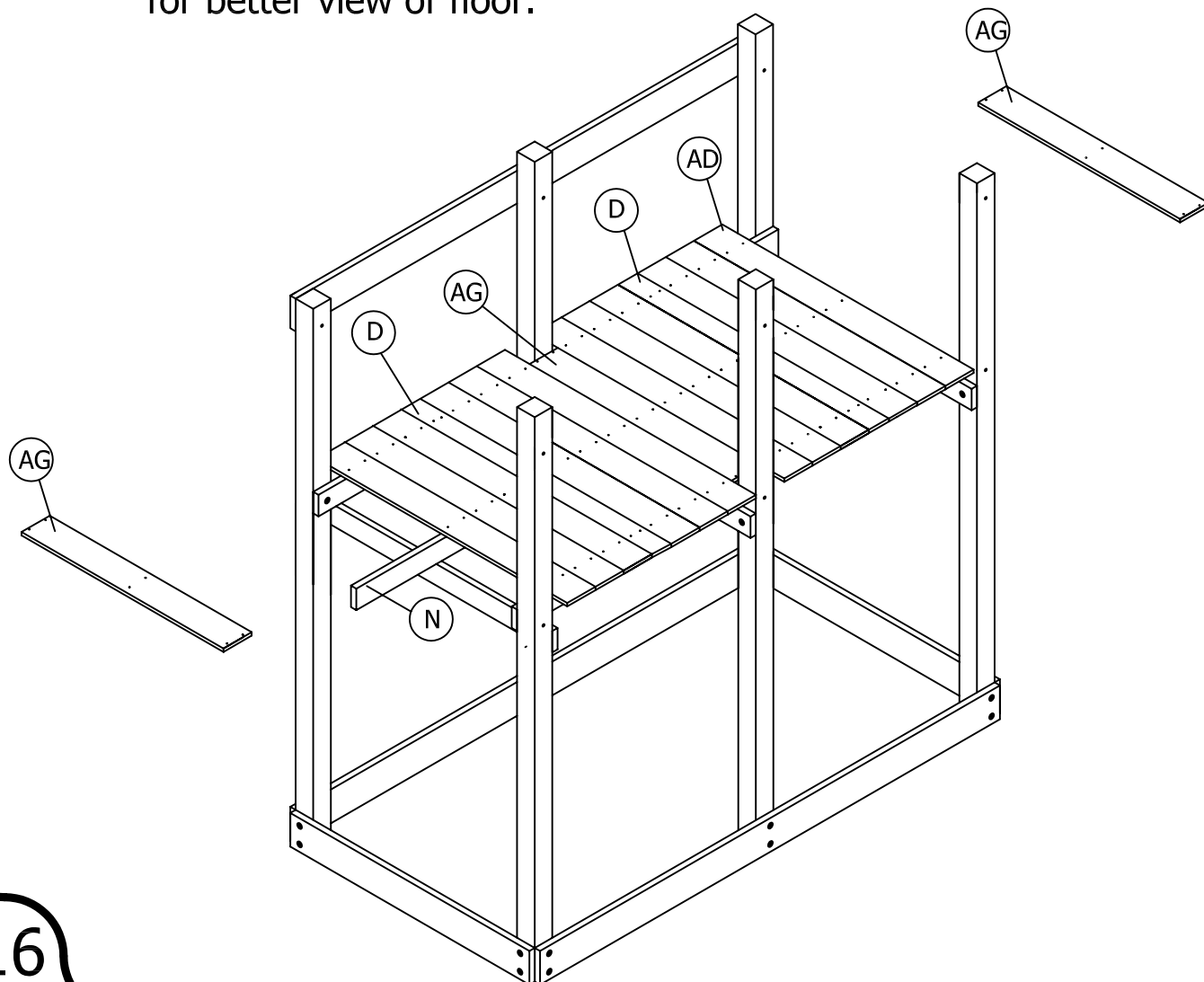
STEP 2: CENTER (1) FLOOR BOARD 'AG' BETWEEN MIDDLE UPRIGHTS & ATTACH W/ (4) 1 1/2" DECK SCREWS.

STEP 3: PLACE FLOOR BOARDS 'AD' & 'D' W/ PRE-DRILLED HOLES OVER THE CENTER OF THE FLOOR JOIST. YOU SHOULD HAVE APPROX. A 4 1/2" OVERHANG ON EACH SIDE. ATTACH FLOOR BOARDS W/ 1 1/2" DECK SCREWS AS SHOWN.

STEP 4: ATTACH (2) FLOOR BOARDS 'AG' TO END OF FLOOR JOISTS W/ 1 1/2" DECK SCREWS AS SHOWN. (NOTE: SECOND HOLE ON END FLOOR BOARD, MAY MISS FLOOR JOIST)

STEP 5: PLACE FLOOR JOIST 'N' CENTERED UNDER PRE-DRILLED HOLES IN MIDDLE OF FLOOR. KEEP ENDS EVEN W/ THE OTHER FLOOR JOIST. FINISH ATTACHING W/ 1 1/2" DECK SCREWS TO FLOOR.

Note: Top fort rail is not shown,
for better view of floor.



PHASE 4

STEP 1: GATHER ITEMS AA(4), Y(2), W(2), E(1) & HARDWARE BAG.

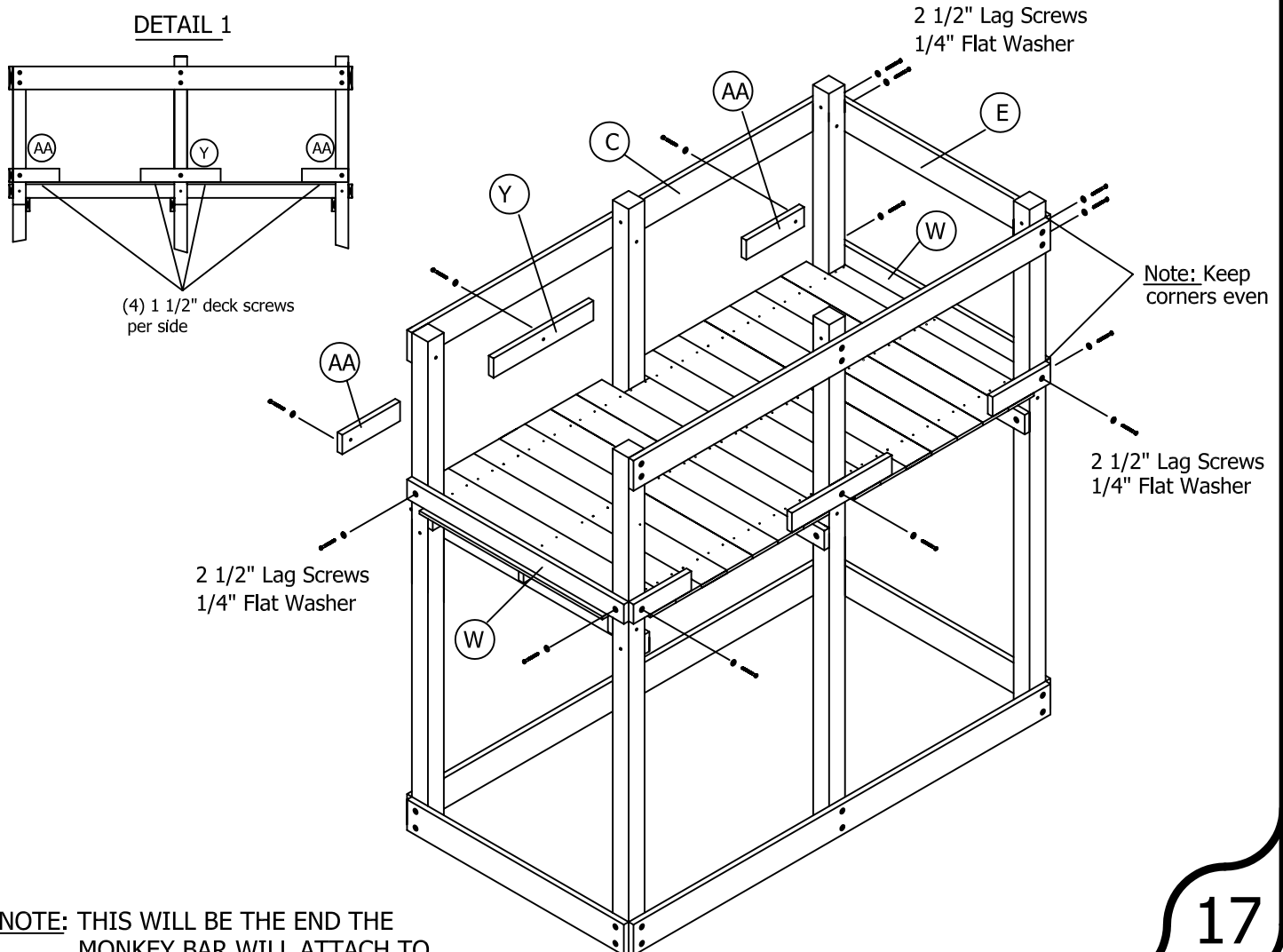
STEP 2: ATTACH WALL RAILS 'AA' TO UPRIGHTS W/ LAG SCREWS AS SHOWN.
KEEP WALL RAIL FLUSH W/ OUTSIDE OF UPRIGHT.

STEP 3: CENTER WALL RAILS 'Y' OVER CENTER UPRIGHT & ATTACH W/ 2 1/2" LAG SCREWS AS SHOWN.

STEP 4: ATTACH WALL RAILS 'W' TO UPRIGHTS 'A'
REST WALL RAIL ON FLOOR BOARDS & KEEP ENDS EVEN W/OUTSIDE OF UPRIGHTS & ATTACH W/ 2 1/2" LAG SCREWS.

STEP 5: ATTACH FORT RAIL 'E' TO THE SIDE OPPOSITE WHERE THE MONKEY BAR WILL ATTACH. (SEE NOTE BELOW), EVEN WITH FORT RAIL 'C'. ATTACH W/ 2 1/2" LAG SCREWS.

STEP 6: ANCHOR WALL RAILS 'AA', 'Y' & W TO FLOOR W/ 1 1/2" DECK SCREWS. ATTACH FROM UNDER THE FLOOR BOARDS INTO THE CENTER OF THE WALL RAILS. USE (1) DECK SCREWS PER WALL RAIL.



NOTE: THIS WILL BE THE END THE MONKEY BAR WILL ATTACH TO.

PHASE 5

STEP 1: GATHER ITEMS K(2), F(1) & HARDWARE BAG.

STEP 2: ASSEMBLE LADDER AS SHOWN ON "DECK LADDER ASSEMBLY" IN BACK OF BOOK.

ATTACH LADDER TO ITEM 'L' AS SHOWN IN DECK LADDER DETAIL ON THIS PG.

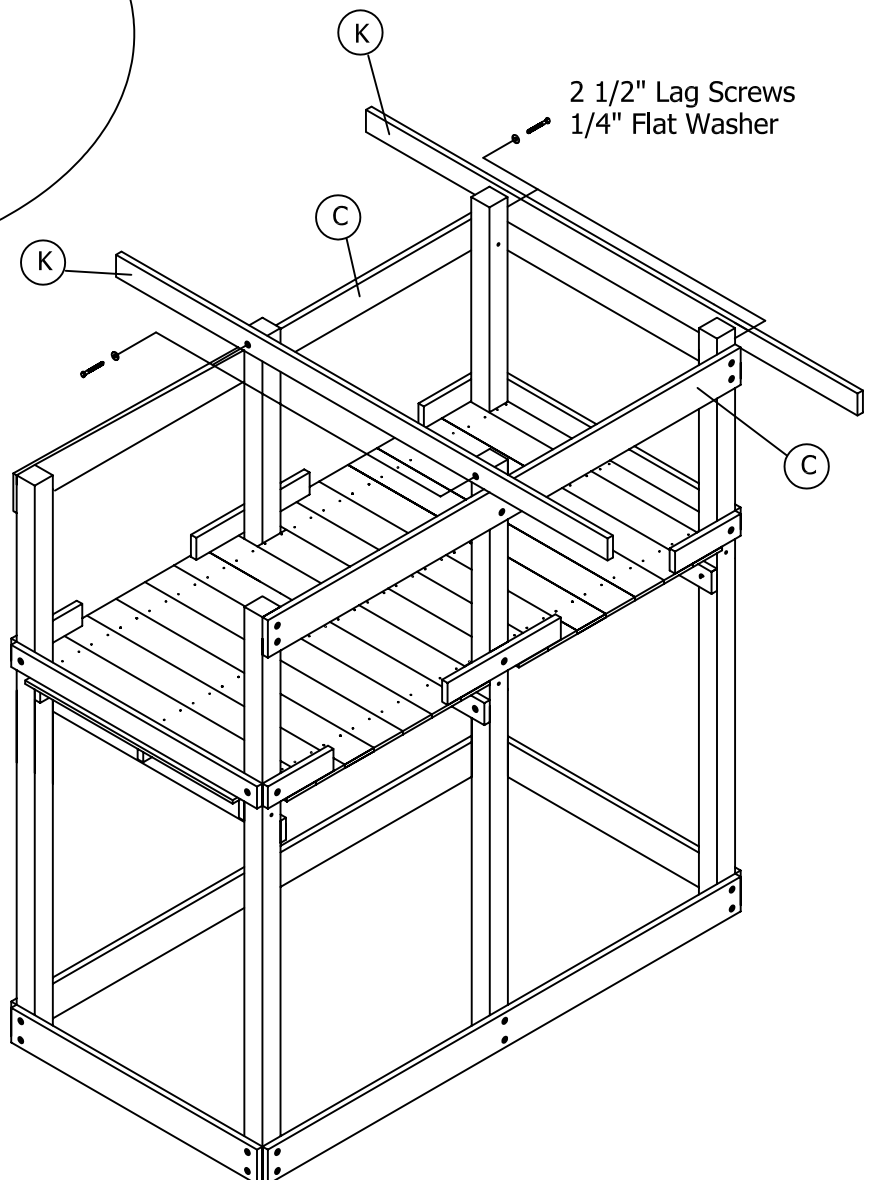
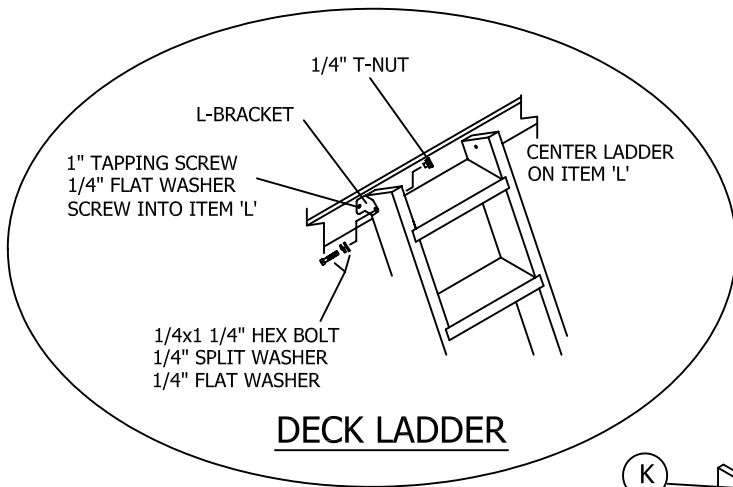
NOTE: THIS WILL HELP YOU GET INTO FORT FOR THE FOLLOWING STEPS.

STEP 3: CROSS BRACES 'K' MUST BE ATTACHED WHERE SHOWN w/ 2 1/2" LAG SCREWS

KEEP COUNTERSUNK HOLES TO OUTSIDE OF FORT.

STEP 4: ATTACH MONKEY BAR CROSS BRACE 'F' EVEN WITH FORT RAILS 'C'

W/ 2 1/2" LAG SCREWS. KEEP ENDS FLUSH W/ OUTSIDE OF UPRIGHTS.



PHASE 6

STEP 1: GATHER ITEMS T(4), U(1), P(2), V(2) & HARDWARE BAG.

STEP 2: ATTACH ITEM 'U' TO ITEMS 'P' AS FOLLOWS:

PLACE TARP SUPPORT 'U' ACROSS THE TOP OF ITEMS 'P'. KEEP ENDS FLUSH & ATTACH W/ 2 1/4" DECK SCREWS USING PRE-DRILLED HOLES LOCATED ON ITEM 'U'.

NOTE: A HELPER IS REQUIRED W/ ASSEMBLY.

STEP 3: ATTACH ASSEMBLY TO CROSS BRACES 'K' W/ 1 3/4" HEX BOLTS, FLAT & SPLIT WASHER AND T-NUTS*.

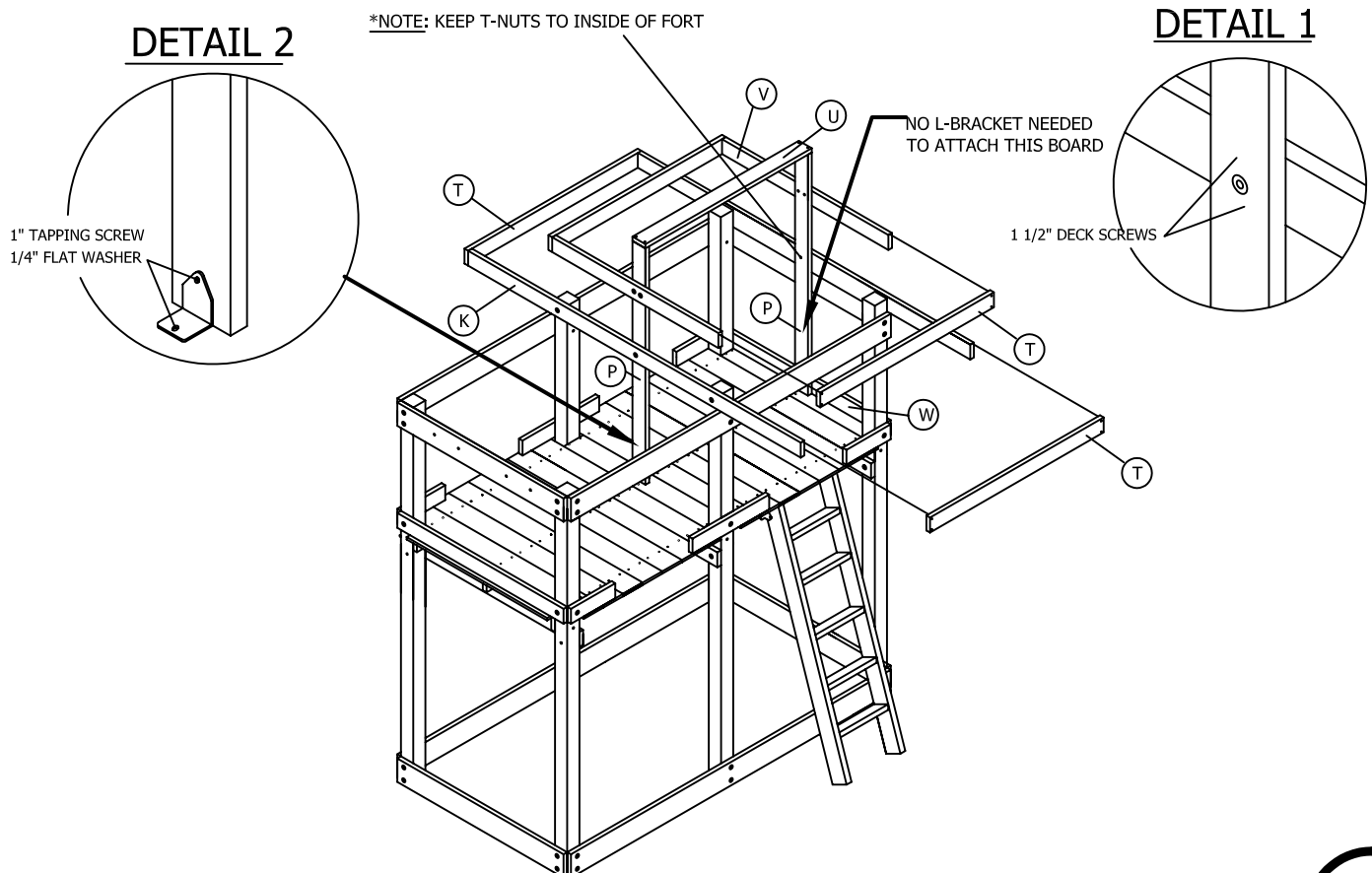
NOTE: ITEMS 'P' MUST BE ANCHORED TO CROSS BRACES W/ 1 1/2" DECK SCREWS. THIS WILL KEEP ASSEMBLY FROM PIVOTING. SEE 'DETAIL 1'.

STEP 4: ANCHOR TARP SUPPORT 'P' (IN CENTER OF FORT) TO FORT FLOOR W/ L-BRACKET & TAPPING SCREWS AS SHOWN IN DETAIL 2 & ANCHOR TARP SUPPORT 'P' (ON OPPOSITE END OF FORT) TO FORT RAIL 'W' W/DECK SCREWS (NO L-BRACKET NEEDED HERE).

STEP 5: ATTACH SHORT CROSS BRACE 'V' TO TARP UPRIGHT 'P' THROUGH PRE-DRILLED HOLES W/(2) 1 3/4" HEX BOLTS, 1/4" FLAT & SPLIT WASHERS AND T-NUTS*.

STEP 6: ATTACH TARP END CAPS 'T' TO ENDS OF CROSS BRACES 'K' & 'V' W/ 2 1/4" DECK SCREWS. USE PRE-DRILLED HOLES LOCATED ON ENDS OF ITEMS 'T'.

STEP 7: ATTACH TARP TO FORT AS SHOWN ON "TARP DETAIL" IN BACK OF BOOK.



PHASE 7

STEP 1: GATHER ITEMS Q(4), I(1) & HARDWARE BAG.

STEP 2: ASSEMBLE CARGO NET & ROCKWALL AS SHOWN IN DETAILS IN THE BACK OF THE BOOK.

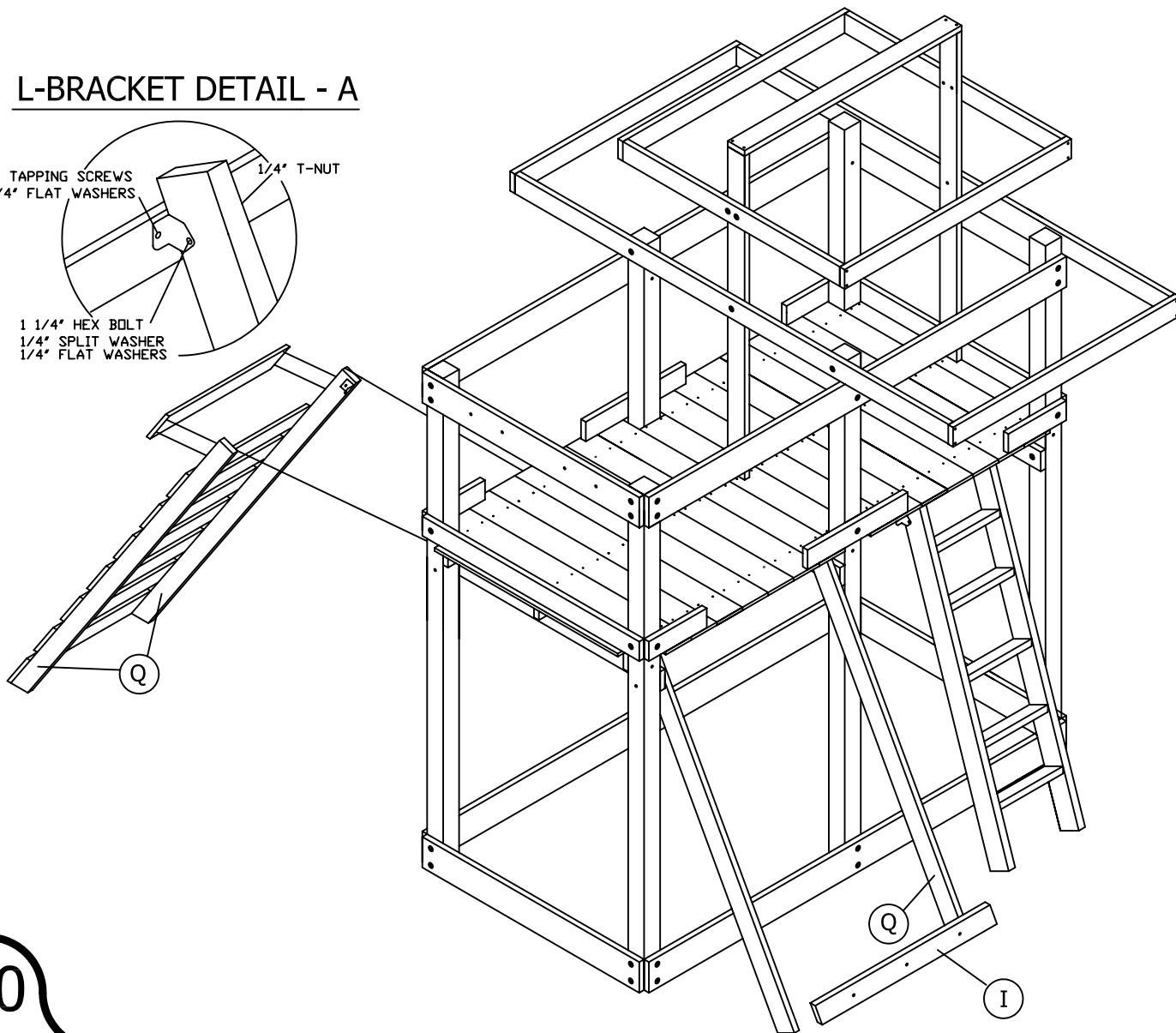
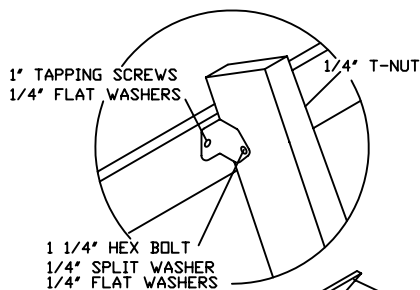
STEP 3: ATTACH ROCKWALL AND CARGO NET WITH L-BRACKETS AS SHOWN IN DETAIL.

A - ATTACH L-BRACKET TO INSIDE OF EACH SUPPORT WITH 1 1/4" HEX BOLT AND 1/4" T-NUT. (KEEP T-NUT TO OUTSIDE OF SUPPORT)
ATTACH ROCK WALL AND CARGO NET TO FLOOR JOIST ON UNIT WITH 1" TAPPING SCREWS AS SHOWN.

NOTE: CARGO NET MUST BE ATTACHED TO THE SAME SIDE AS ITEM 'L' CARGO NET RAIL. (SEE PHASE 1 FOR ITEM 'L' LOCATION)

STEP 4: ATTACH TOP ROCKWALL BOARD TO ROCKWALL.

L-BRACKET DETAIL - A



PHASE 8

STEP 1: GATHER ITEMS O(2), J(1), END LADDER ASSEMBLY, TOP LADDER ASSEMBLY, (4) L-BRACKETS, (4) TRIANGLE END LADDER BRACES & HARDWARE BAG.

STEP 2: ATTACH GROUND BEAM 'J' TO END LADDER. ATTACH WITH 2 1/2" LAG SCREWS AS SHOWN.

STEP 3: ATTACH END LADDER BRACES 'O' TO GROUND BEAM W/ 1 3/4" HEX BOLTS & T-NUTS AS SHOWN BELOW. LAG TOP OF BRACES TO END LADDER WITH 4 1/2" LAG SCREWS AS SHOWN.

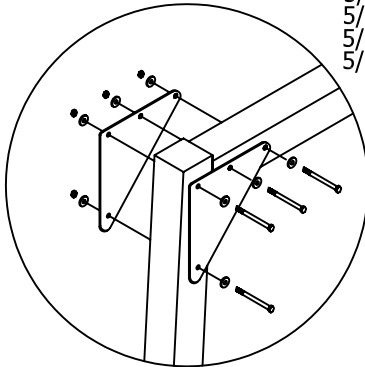
STEP 4: ATTACH TOP LADDER TO END LADDER ASSEMBLY W/ TRIANGLE END LADDER BRACES, 5/16x3 3/4" HEX BOLTS, WASHERS & LOCK NUT. TOP LADDER END W/ 2 HOLES WILL ATTACH TO THE END LADDER ASSEMBLY. AS SHOWN IN DETAIL 1.

NOTE: TOP LADDER HAS PILOT HOLES FOR SWING HANGERS & MUST BE FACING DOWN BEFORE ATTACHING TO END LADDER.

STEP 5: ATTACH (2) L-BRACKETS TO EACH TOP LADDER RAIL w/ 5/16"x3 3/4" HEX BOLTS, FLAT WASHERS, & LOCK NUTS (MAKING SURE THAT THE ROUNDED END OF THE L-BRACKET IS ATTACHED TO TOP LADDER) SEE DETAIL 2.

DETAIL 1

5/16x3 3/4" HEX BOLT
5/16" FLAT WASHER
5/16" FLAT WASHER
5/16" LOCK NUT



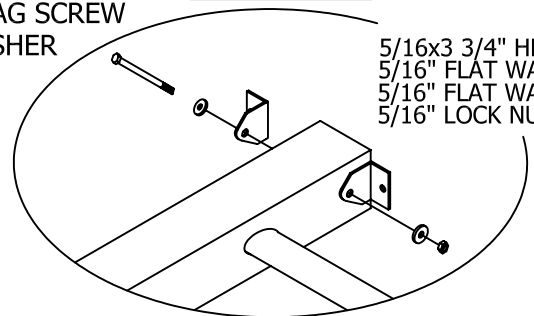
5/16 x 1 3/4" HEX BOLT
5/16" SPLIT WASHER
5/16" FLAT WASHER
5/16" T-NUT

2 1/2" LAG SCREW
1/4" FLAT WASHER

5/16"x 4 1/2" LAG SCREW
5/16" FLAT WASHER

DETAIL 2

5/16x3 3/4" HEX BOLT
5/16" FLAT WASHER
5/16" FLAT WASHER
5/16" LOCK NUT



PHASE 9

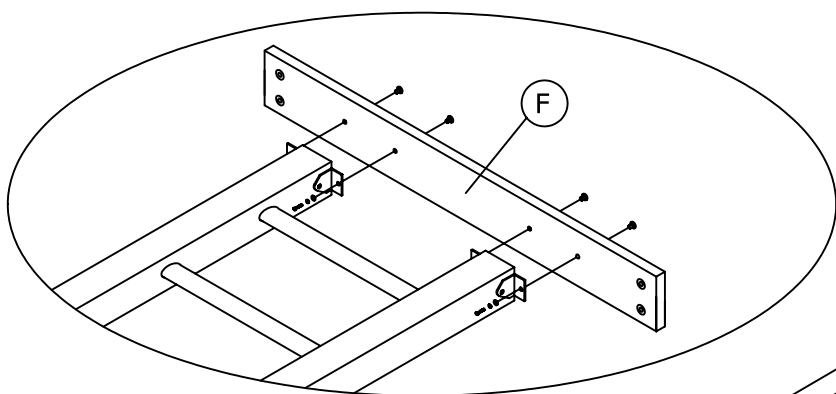
STEP 1: POSITION TOP LADDER SO THAT L-BRACKET HOLES ALIGN w/ PRE-DRILLED HOLES ON MONKEY BAR CROSS BRACE 'F' AND ATTACH w/ 5/16"x1 1/4" HEX BOLTS, FLAT WASHER, SPLIT WASHER, & T-NUT.

STEP 2: ATTACH LAG SCREW SWING HANGERS TO TOP LADDER THROUGH PRE-DRILLED PILOT HOLES. (8) TOTAL LOCATED IN HARDWARE BAG.

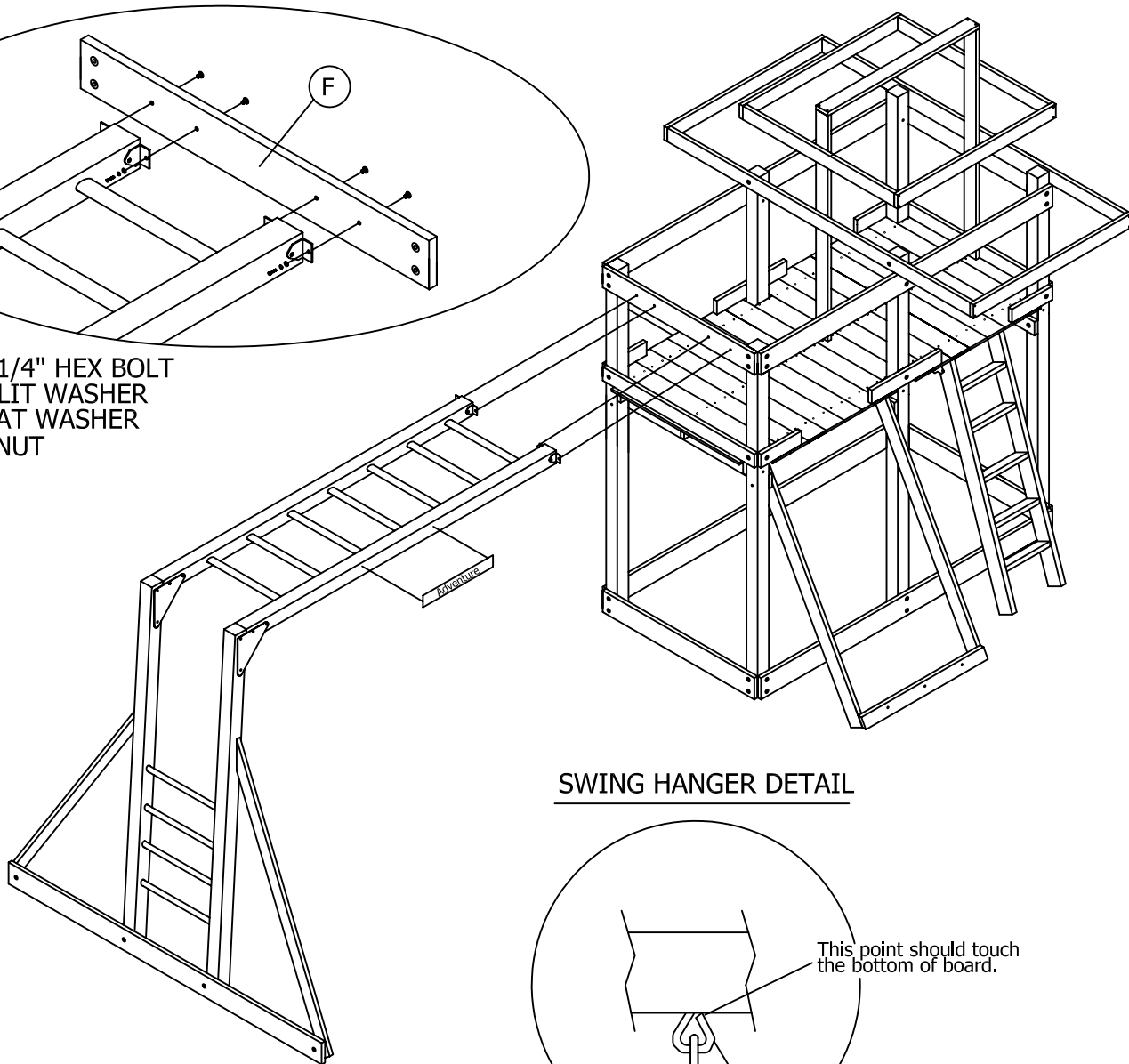
NOTE: SWING HANGERS MUST BE SCREWED IN ALL THE WAY. AS SHOWN IN SWING HANGER DETAIL THIS PAGE.

STEP 3: GLIDER AND SWINGS REQUIRE ASSEMBLY. REFER TO SWING SEAT ASSEMBLY & GLIDER DETAIL AT BACK OF INSTRUCTION BOOK BEFORE ATTACHING TO TOP LADDER.

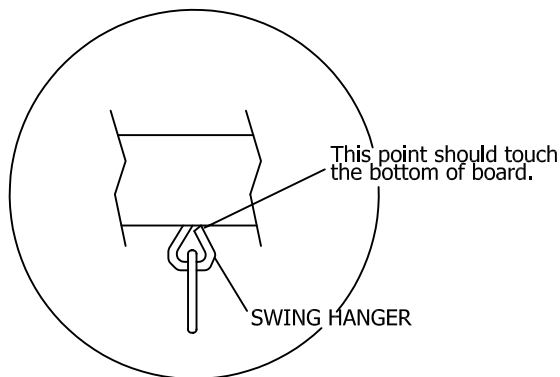
STEP 4: ATTACH ADVENTURE PLAYSETS STICKER TO MONKEY BAR TOP LADDER.



5/16"x1 1/4" HEX BOLT
5/16" SPLIT WASHER
5/16" FLAT WASHER
5/16" T-NUT



SWING HANGER DETAIL



PHASE 10

STEP 1: GATHER ITEMS X(17) & HARDWARE BAG.

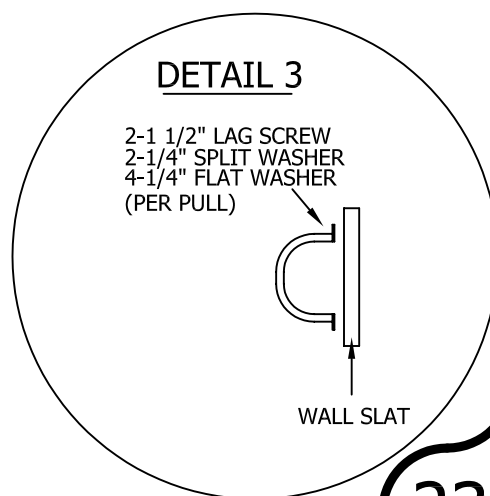
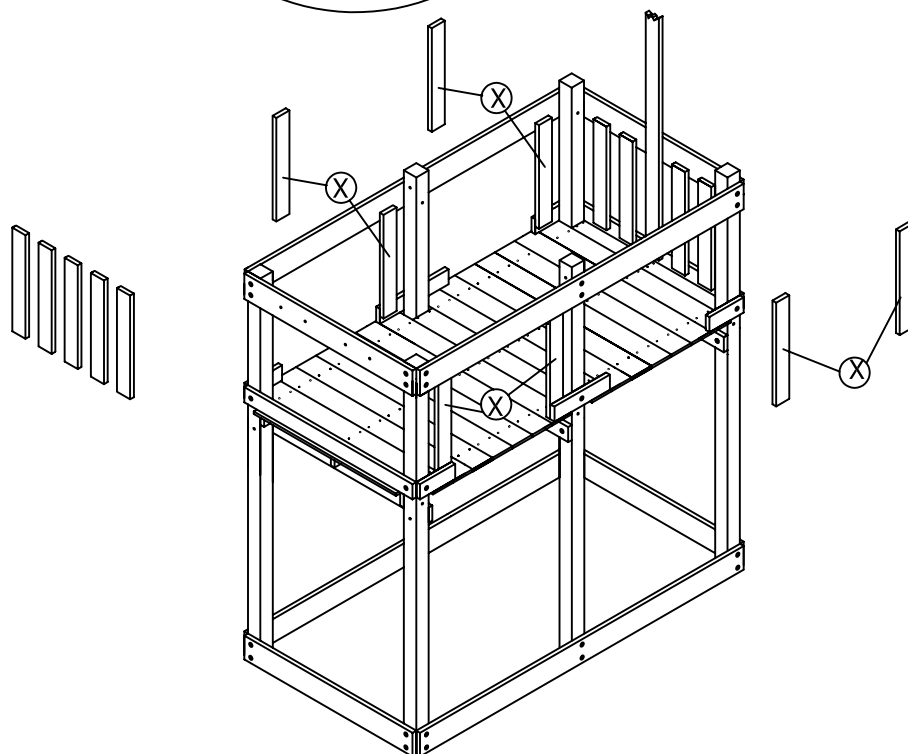
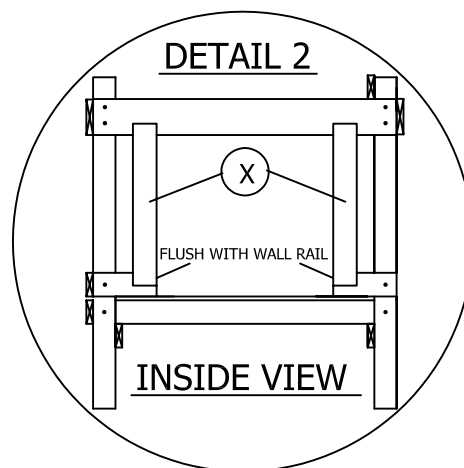
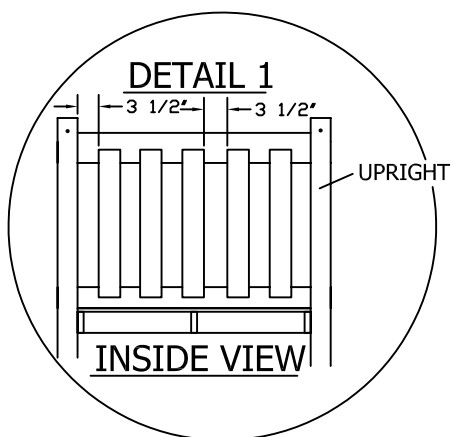
A. USING YOUR WOODEN STAKES AS SPACERS, REST THE STAKE ON THE FORT FLOOR & THEN REST THE WALL SLAT ON THE STAKE. ATTACH W/ (4) 1 1/2" DECK SCREWS. (SEE DETAIL 1 FOR SPACING.)

B. REPEAT STEP 1 ON OPPOSITE END OF FORT. (ON OPPOSITE END, MIDDLE WALL SLAT WILL BE REPLACED BY EXISTING TARP UPRIGHT.)

STEP 2: ATTACH WALL SLATS 'X' TO SIDES WHERE ACCESSORIES ARE ATTACHED.

USE STAKES AS SPACERS & ATTACH TO WALL RAILS W/ (4) 1 1/2" DECK SCREWS. (SEE DETAIL 2.)

A. WALL SLATS 'X' WILL TAKE YELLOW HANDLES. CENTER HANDLE ON WALL SLAT WHERE CARGO NET, ROCKWALL & DECK LADDER ATTACH. ATTACH USING HARDWARE PROVIDED, PLUS ATTACH AN EXTRA 1/4" SPLIT WASHER & 1/4" FLAT WASHER TO EACH LAG TO KEEP FROM PROTRUDING THROUGH WALL SLAT. (SEE DETAIL 3.)



PHASE 11

STEP 1: GATHER ITEMS W(4), AD(6), Z(1), AC(1) & HARDWARE BAG.

STEP 2: ATTACH ITEMS 'W' TO INSIDE OF FORT AS FOLLOWS:

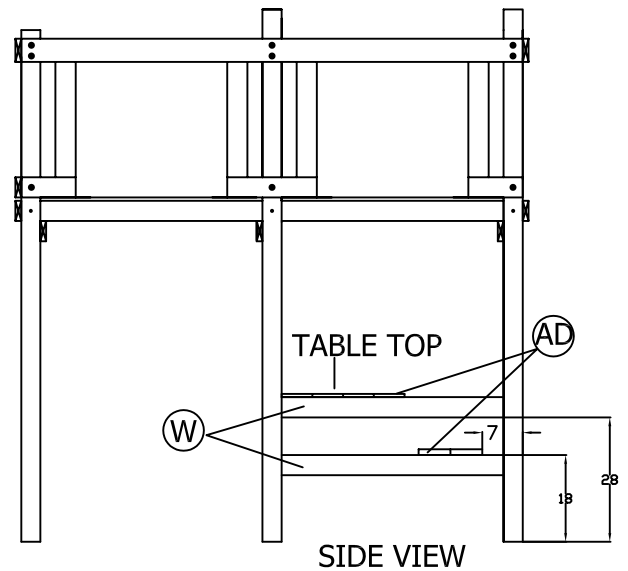
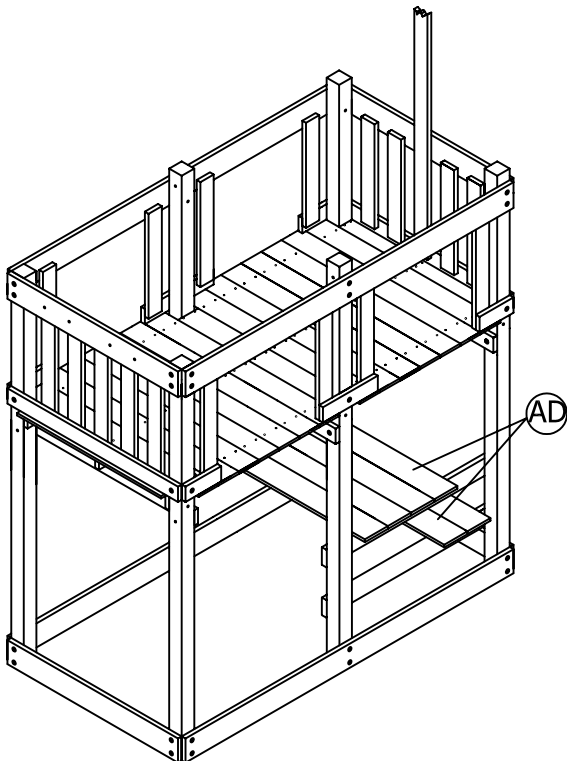
A. ATTACH TOP PICNIC RAILS 28" FROM BOTTOM OF UPRIGHT TO BOTTOM OF RAIL AS SHOWN IN 'SIDE VIEW'. COUNTERSUNK HOLES MUST BE TO IN SIDE OF FORT. ATTACH W/ 2 1/2" LAG SCREWS & FLAT WASHERS.

B. MEASURE 18" FROM BOTTOM OF UPRIGHT TO TOP OF SECOND PICNIC RAILS & ATTACH W/ 2 1/2" LAG SCREWS & FLAT WASHERS. COUNTERSUNK HOLES MUST BE TO INSIDE OF FORT.

STEP 3: SET PICNIC BOARDS AD(4) ON TOP PICNIC RAILS & SHOVE AGAINST CENTER FORT UPRIGHTS. KEEP ENDS EVEN WITH THE OUTSIDE OF UPRIGHTS & ATTACH W/ (4) 1 1/2" DECK SCREW PER BOARD, THROUGH PICNIC BOARD & INTO PICNIC RAILS 'W'.

STEP 4: SET PICNIC BOARDS AD(2) ON BOTTOM PICNIC RAILS. MEASURE FROM OUTSIDE OF UPRIGHTS 7" IN & ATTACH BENCH BOARDS W/ (4) 1 1/2" DECK SCREW PER BOARD. (SEE SIDE VIEW DETAIL.)

STEP 5: ATTACH TABLE TOP BRACE (Z) TO BOTTOM SIDE OF TABLE TOP. HAVE A HELPER HOLD IT FROM THE BOTTOM & ATTACH W/ 1 1/2" DECK SCREWS. ATTACH (AC) TO BOTTOM OF PICNIC BENCHES W/ 1 1/2" DECK SCREWS.



DECK LADDER ASSEMBLY

ASSEMBLY STEPS

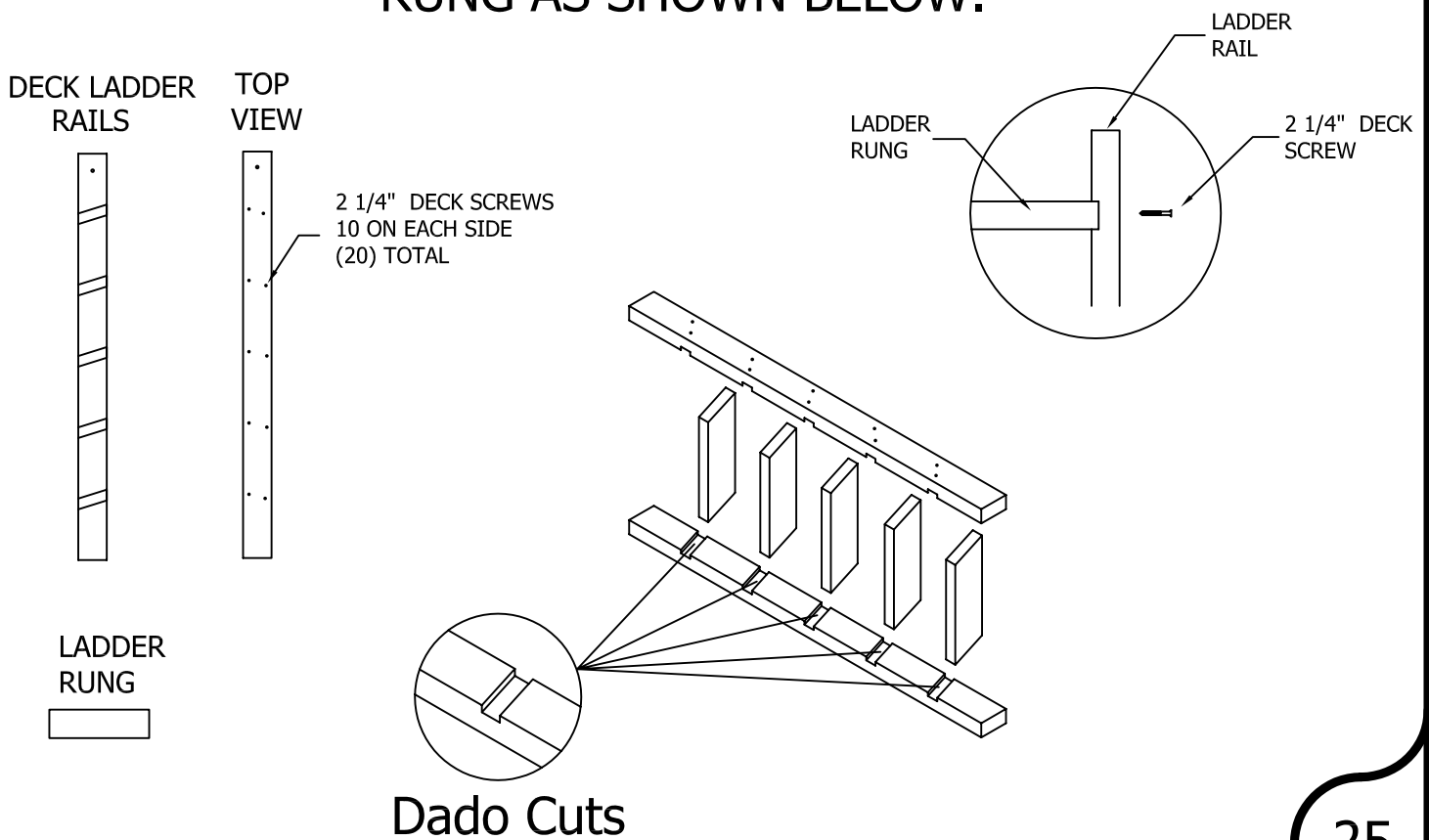
STEP 1: GATHER ITEMS:

AB-(5) LADDER RUNGS
R & S -(2) DECK LADDER RAILS
(20) 2 1/4" DECK SCREWS.

STEP 2: PLACE LADDER RAIL FLAT WITH DADO CUTS FACING UP. CENTER RUNGS ON LADDER RAIL AS SHOWN ON TOP VIEW.

Note: Dado cuts are the indentions made on ladder rails that secure the ladder rungs.

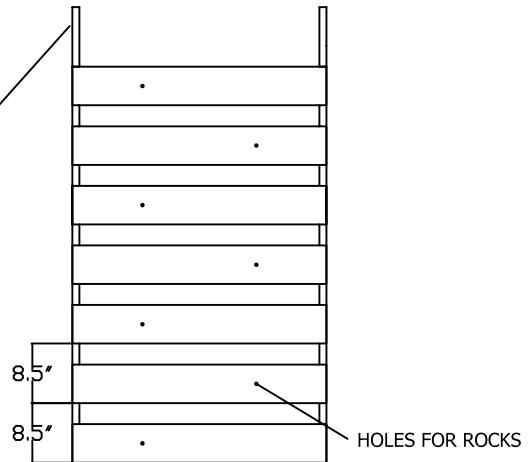
STEP 3: SCREW INTO THE CENTER OF RUNG AS SHOWN BELOW.



ROCKWALL ASSEMBLY & ATTACHMENT

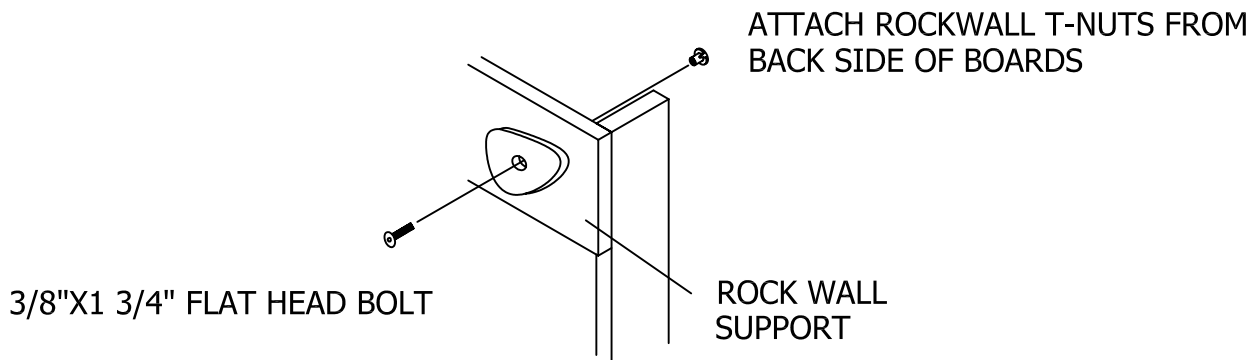
ROCK WALL DETAIL

NOTE: LEAVE TOP BOARD OFF AND ATTACH AFTER ATTACHING ASSEMBLY TO FORT.



PLACE ONE ROCK WALL BOARD 'G' AT BOTTOM OF SUPPORTS & ATTACH W/ 2 1/4" DECK SCREWS. SPACE YOUR ROCK WALL BOARDS 'G' 8 1/2" APART & ALTERNATE THE BOARDS SO THE HOLES WILL NOT BE IN A STRAIGHT LINE. LEAVE TOP ROCKWALL BOARD OFF AND ATTACH AFTER ATTACHING ASSEMBLY TO FORT. (SEE ROCK DETAIL FOR ROCK ATTACHMENT.)

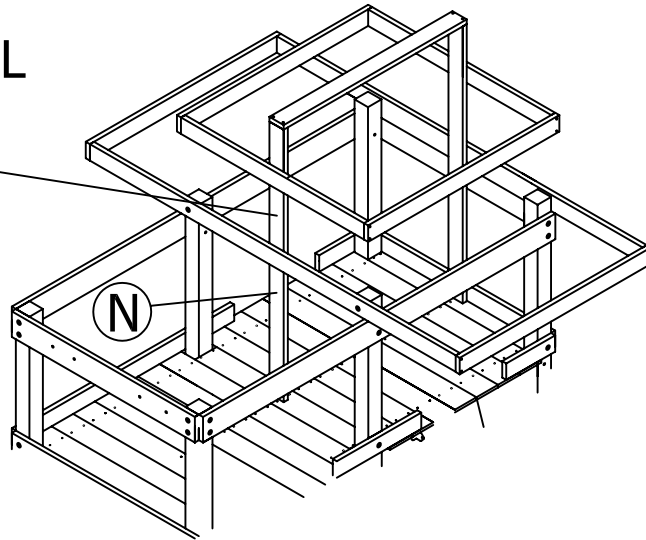
ROCK DETAIL



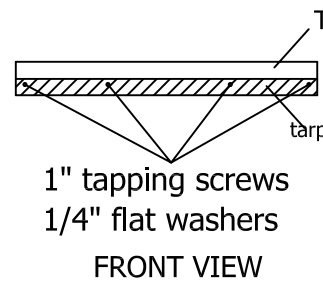
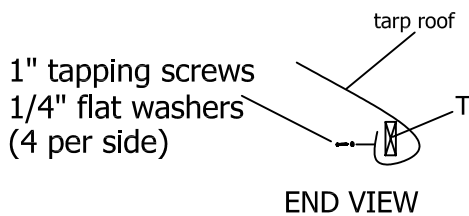
STEERING WHEEL ATTACHMENT

IN THIS STEP YOU WILL ATTATCH THE STEERING WHEEL TO THE CENTER TARP SUPPORT 'N' WITH A 1 $\frac{1}{4}$ " LAG SCREW AND $\frac{1}{4}$ " FLAT WASHER.

PLACE STEERING WHEEL
HERE.



TARP ROOF DETAIL



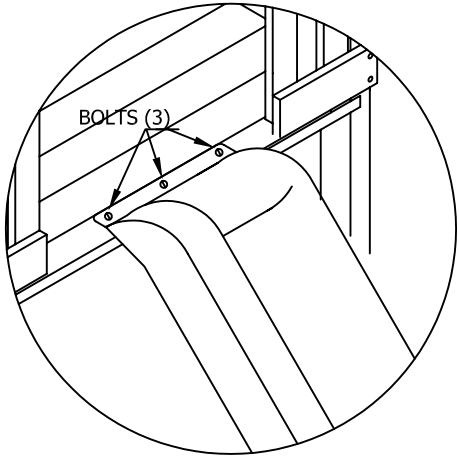
PLACE TARP OVER SUPPORT 'U'. LOOP UNDER ITEMS 'T' & SECURE W/ 1" TAPPING SCREWS & 1/4" FLAT WASHERS. KEEP TARP ROOF TIGHT.

SLIDE & GLIDER DETAILS

This updated page will replace existing page in manual.

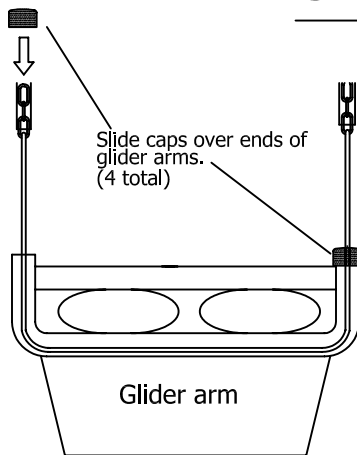
STEP 1: ATTACH SLIDE TO SIDE OPPOSITE OF LADDER.

SLIDE DETAIL

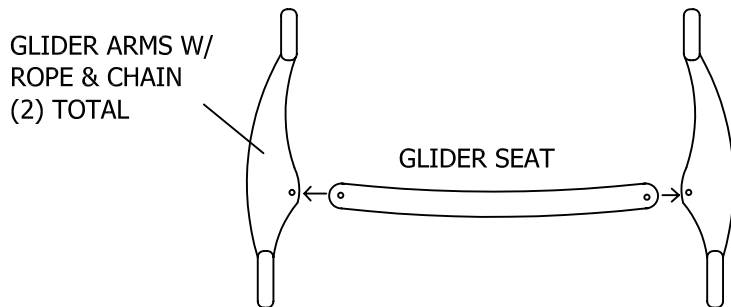


CENTER SLIDE IN WALL OPENING.
DRILL A 5/16" HOLE THROUGH TOP CORNERS OF SLIDE & FLOOR. INSERT 1/4x1 1/4" MACHINE TRUSS SCREW THROUGH SLIDE & FLOOR. TIGHTEN WITH 1/4" FLAT WASHER AND LOCK NUT.

GLIDER ASSEMBLY



SLIDE PLASTIC CAPS OVER ENDS OF GLIDER CHAINS TO COVER GLIDER ARM HOLES.



INSERT GLIDER SEAT INTO GLIDER ARMS & ATTACH W/ (2) 6 1/2" HEX BOLTS, (4) 5/16" FLAT WASHERS & (2) 5/16" LOCK NUTS. AFTER ASSEMBLY IS COMPLETE, ATTACH GLIDER TO SWING HANGERS LOCATED ON MONKEY BAR.

NOTE: SIDE VIEW OF GLIDER

NOTE: YOU MAY NEED TO TIE A KNOT ON ROPE TO ADJUST GLIDER HEIGHT.

FREQUENTLY ASKED QUESTIONS

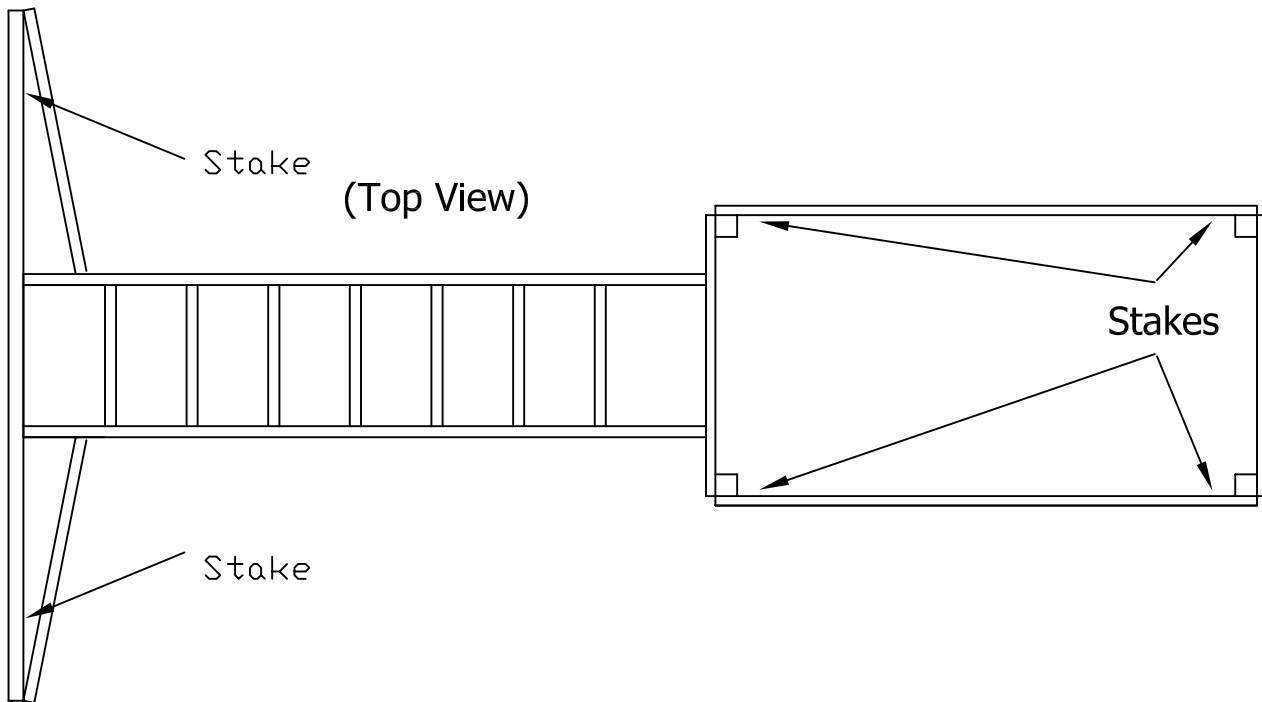
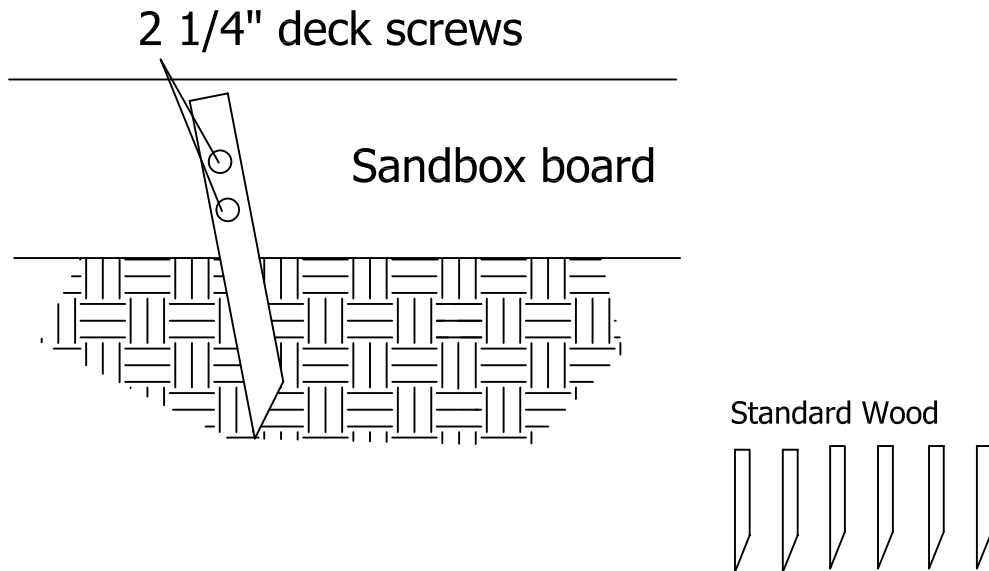
LISTED BELOW ARE ANSWERS TO SOME QUESTIONS THAT WE RECEIVE. THIS MAY AID YOU IN THE ASSEMBLY OF YOUR UNIT OR HELP TROUBLESHOOT A PROBLEM YOU MAY BE HAVING.

- Q. THE OUTER HOLES ON MY END FLOOR BOARDS (BOARD AG) MISS HITTING MY FLOOR JOISTS, SO THE SCREWS DO NOT HIT WOOD. IS THAT A PROBLEM?
- A. NO, IT IS ONLY NECESSARY TO USE ONE SCREW ON EACH SIDE OF THE END FLOOR BOARDS.
- Q. THE HOLES IN THE L-BRACKETS ON THE END OF MY TOP LADDER DO NOT LINE UP WITH THE HOLES IN THE MONKEY BAR CROSS BRACE (BOARD 'F'). WHAT IS WRONG?
- A. YOUR L-BRACKETS ARE ON BACKWARDS. TRY ROTATING L-BRACKET AND ATTACHING WITH THE OTHER HOLE.
- Q. WHAT SIZE OF PLAY AREA DO YOU RECOMMEND AROUND THE PLAY SET SO MY CHILD MAY PLAY SAFE?
- A. WE RECOMMEND AT LEAST SIX FOOT PLAY PERIMETER AROUND THE PLAY SET.
- Q. HOW OFTEN SHOULD I RE-STAIN MY PLAY SET AND WHAT SHOULD I USE?
- A. THE SWING SET SHOULD BE CHECKED ONCE A YEAR DEPENDING ON THE WEATHER. LIGHTLY SAND ANY ROUGH AREAS AND RE-STAIN THE SET WITH A WATERBORNE TRANSPARENT STAIN.
- Q. MY SWING SET SEEMS TO SWAY OR ROCK TO MUCH. WHAT IS WRONG?
- A. ROCKING IS CAUSED BY UNEVEN GROUND OR OBSTRUCTIONS SUCH AS ROCKS, ROOTS, ETC. UNDER THE GROUND RAILS. THESE OBSTRUCTIONS SHOULD BE REMOVED AND THE GROUND UNDERNEATH LEVELED TO PREVENT ROCKING. IF THE FORT ITSELF IS MOVING, IT IS USUALLY CAUSED FROM A ROCK WALL OR CARGO NET SHIFTING AND NOT STAYING FIRM IN THE GROUND. STAKING THEM WILL STOP MOST OF THE MOVEMENT.
- Q. THE END LADDER IS NOT STRAIGHT UP AND DOWN. WHAT IS WRONG?
- A. NOTHING IS WRONG. THE END LADDER DOES NOT FORM A 90° ANGLE. IT HAS AN ANGLE TO IT.
- Q. THE S-HOOKS FOR MY SWINGS WON'T CLOSE. WHAT IS WRONG?
- A. THE S-HOOK MUST BE ON A SOLID FOUNDATION WHEN TRYING TO CLOSE. IT TAKES QUITE A FEW STOKES, BUT THE S-HOOK WILL CLOSE.
- Q. MY LAG SCREWS ARE HITTING KNOTS OR OTHER SCREWS. WHAT SHOULD I DO?
- A. IT IS NECESSARY TO PRE-DRILL PILOT HOLES WITH A 1/8" BIT TO ENSURE THE BOLTS WILL NOT HIT ANYTHING AND GIVE DIRECTION TO MISS OBSTACLES.
- Q. THE TOP LADDER DOES NOT HAVE HOLES FOR THE SWING HANGER LAGS. WHY NOT?
- A. THE TOP LADDER IS PROBABLY INSTALLED UPSIDE-DOWN.
- Q. THE WOOD IS CRACKING. IS THAT A PROBLEM?
- A. NO, EXPANSION AND CONTRACTION OF WOOD DUE TO WEATHER CHANGES WILL CAUSE SLIGHT CRACKING, TECHNICALLY CALLED CHECKING, AND DISTORTION. THESE ARE NATURAL CHARACTERISTICS OF WOOD. IT DOES NOT AFFECT THE STRUCTURAL INTEGRITY OF THE PLAY CENTER.

ANCHORING INSTRUCTIONS

Stakes must be located as shown.

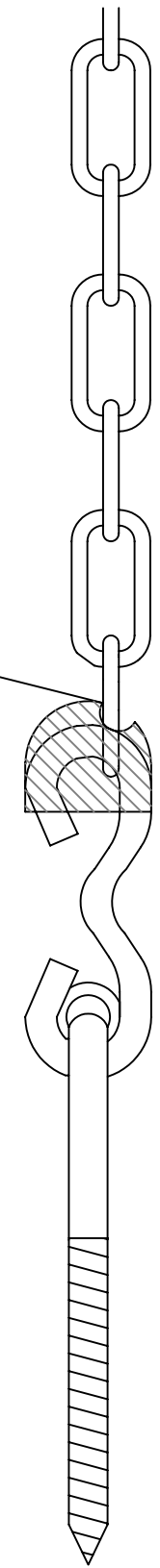
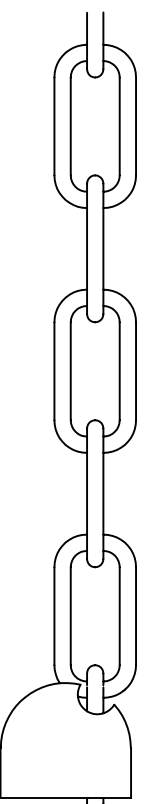
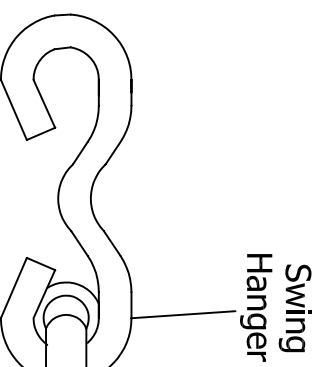
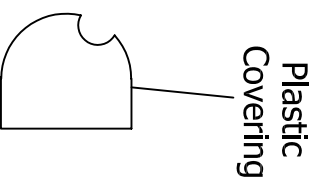
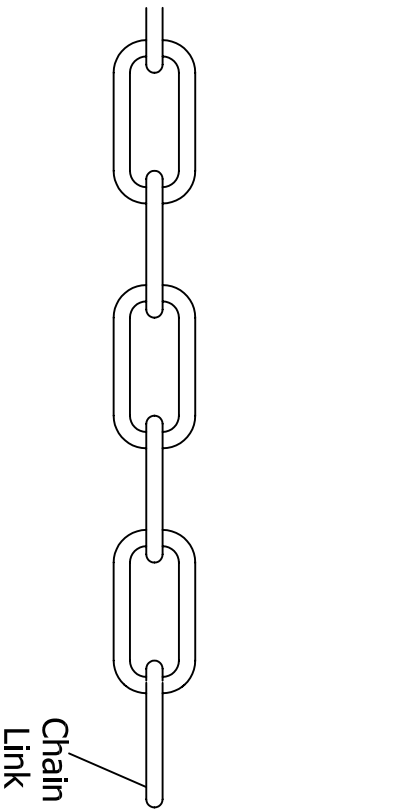
Drive Stake into ground & attach with screws.



Failure to use stakes can void warranty, & cause injury.

Swing Hanger Covering Detail

- Step 1: Insert Chain Link into Plastic Covering notch as Shown.
- Step 2: Insert Swing Hanger into Plastic Covering, then into Chain Link.
- Step 3: Pull Plastic Covering firmly onto Swing Hanger.



Plastic Covering notch must be opposite Swing Hanger opening.

Frequently Asked Questions

Q: What size of play area do you recommend around the playset so my child may play safe??

A: We recommend at least a six-foot play perimeter around the playset.

Q: My swing set seems to sway or rock too much. What is wrong?

A: Rocking is caused by uneven ground or obstructions such as rocks, roots, etc. under the ground rails. These obstructions should be removed and the ground underneath leveled to prevent rocking. If the fort itself is moving, it is usually caused because the fort is not staked down. Staking is required and will stop most of the movement.

Q: The end ladder is not straight up and down. What is wrong?

A: Nothing is wrong. The end ladder does not form a 90° angle. It has an angle to it.

Q: The S-hooks for my swings won't close. What is wrong?

A: The S-hook must be on a solid foundation when trying to close. It takes quite a few strokes, but the S-hook will close.

Q: The top ladder does not have holes for the swing hanger lags. Why not?

A: The top ladder is probably installed upside-down.

Q: My wood appears to be cracking. Is that a problem?

A: No, expansion and contraction of wood due to weather changes will cause slight cracking (technically called checking) and distortion. These are natural characteristics of wood and do not affect the structural integrity of the playset.

Q: My 2x4 boards do not measure 2"x4". Why not?

A: It has been common practice in the U.S. to use the rough-cut dimension from a sawmill to describe the width and height of a particular piece of lumber. Many retailers, designers, contractors and manufacturers utilize this description with a common and accepted knowledge that the actual size will vary from this description. Our sets are designed using the actual dimension. This ensures the sets will be assembled properly and be safe for the recommended use.

Q: How often should I re-stain my playset and what should I use?

A: The playset should be checked at least once a year depending on the weather. Lightly sand any rough areas and re-stain the set with a waterborne transparent stain.

CUSTOMER NOTES

Limited Warranty

Adventure Playsets Inc. insures to the original owner of our product, that the components of our set are free from defect in materials and will be warranted for one year from the date of purchase. In addition, all wooden components will be warranted against rot or insect damage for 12 Years to the original owner. All non-wood components will carry a one-year warranty only.

All defective parts that are discovered and reported in the first thirty days after purchase will be replaced at no charge to the registered customer. After thirty days of purchase shipping and handling charges for replacement warranty parts will be passed on to the consumer.

All returned goods will be accessed by our customer service department. We will not accept any goods without an authorization code. Our customer service department will give out all codes. Failure to supply authorization code with shipment will void all said warranty. Our customer service department can be reached at 1-800-856-4445.

This Limited Warranty does not cover the following:

- ❑ The cost of labor required to re-install or disassemble the defective component.
- ❑ The cost of air freight
- ❑ The cost of freight after the initial 30 days from purchase.
- ❑ Cosmetic defects that do not affect the structural integrity of the play center.
- ❑ Any abnormal conditions such as vandalism, improper installation, misuse or abuse, or improper maintenance.
- ❑ Damage done by nature such as wind, lightning, severe weather, etc...
- ❑ Natural defects of wood such as warping checking or any other physical properties of wood that do not present a hazard.

Adventure Playsets products have been carefully designed to insure your child's safety. Any modifications to your playsystem could result in serious injury as well as void all warranties.

Our playsets are designed for Residential use only, for children between the ages of 3 and 10, for a single-family dwelling. Commercial use such as nurseries, parks or schools, voids all warranties and liabilities.

Warranty claim procedure

If you are confident that your playsystem has been installed and maintained properly, and you have a warranty claim, proceed with the following steps:

1. We will need copy of your proof of purchase (Vendor sales receipt only.)
2. We require a brief written description of the warranty issue.
3. Photos of warranted parts and of the entire play system.

If **any** of the above steps are not completed, there may be delays in the completion of your claim, or possibly warranty cancellation.

Mail information to:

Adventure Playsets
14201 I-27
Amarillo, Texas
79119

or email at

custservice@adventureplaysets.com

Our customer service department will review the claim and make contact with the customer by mail or by phone. The customer will only pay for shipping and handling to and from factory if warranty is approved.

1-800-856-4445

Service department hours Monday thru Friday 9am to 5pm

Saturday 9am to 2pm

Central standard time

Customer Registration Card

Name: _____

Address: _____

City: _____ State: _____ Zip: _____

Home Phone _____

Date of Purchase _____

Vendor Name _____

City: _____ State: _____ Zip: _____

Unit Model: _____

Please check the boxes below:

How old are you?

18-30

31-43

44-56

Older than 56

How would you rate the quality of our product?

Above Average

Average

Fair

Poor

How would you rate the ease of assembly of our product?

Above Average

Average

Fair

Poor

How would you rate our instructions?

Above Average

Average

Fair

Poor

Would you recommend our product to friends & family?

Yes

No

How old are your children?

3-4

5-6

7-8

9-10

Where did you hear about us?

Friend

Store Display

Advertisement

Internet

Comments: _____

Customer Registration Card

**Do not forget to send in your registration card to the factory.
This card will validate your time of purchase for warranty items.**

Fold here

**Place
stamp
here**

**Adventure Playsets
14201 I-27
Amarillo Texas, 79119**